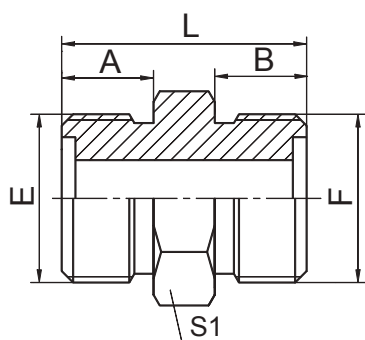


公制 Metric

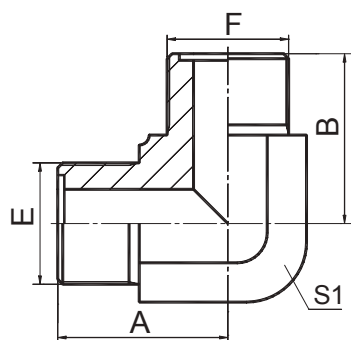


SW1E

公制外螺纹O形圈平面密封
METRIC MALE O-RING

代号 PART NO.	螺纹 THREAD		O形圈 O-RING		尺寸 DIMENSIONS				
	E	F	E端	F端	A	B	L	S1	
SW1E-12	M12X1.25	M12X1.25	8X1.9	8X1.9	11	11	28	14	
SW1E-14	M14X1.5	M14X1.5	10X1.9	10X1.9	11	11	28	17	
SW1E-16	M16X1.5	M16X1.5	11X1.9	11X1.9	11	11	28	17	
SW1E-18	M18X1.5	M18X1.5	13X1.9	13X1.9	11	11	28	19	
SW1E-22	M22X1.5	M22X1.5	16X2.4	16X2.4	12	12	32	24	
SW1E-27	M27X1.5	M27X1.5	20X2.4	20X2.4	13	13	36	30	
SW1E-30	M30X1.5	M30X1.5	24X2.4	24X2.4	14	14	39	32	
SW1E-36	M36X2	M36X2	30X3.1	30X3.1	16	16	43	38	
SW1E-39	M39X2	M39X2	32X3.1	32X3.1	18	18	49	41	
SW1E-42	M42X2	M42X2	35X3.1	35X3.1	20	20	53	46	
SW1E-45	M45X2	M45X2	38X3.1	38X3.1	21	21	55	46	
SW1E-52	M52X2	M52X2	40X3.1	40X3.1	22	22	59	55	
SW1E-60	M60X2	M60X2	45X3.1	45X3.1	24	24	65	65	
SW1E-64	M64X2	M64X2	50X3.1	50X3.1	27	27	71	70	

注：O形圈参数为外径与线径。 Note: The parameter of O-Ring is ring outside diameter and ring width.



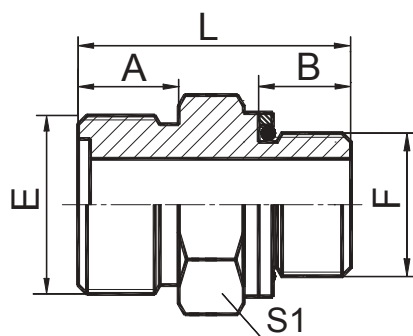
SW1E9

90° 公制外螺纹O形圈平面密封
90° METRIC MALE O-RING

代号 PART NO.	螺 纹 THREAD		O 形圈 O-RING		尺 寸 DIMENSIONS				
	E、F		E、F 端		A	B	S1		
SW1E9-12	M12X1.25		8X1.9		20.5	20.5	12		
SW1E9-14	M14X1.5		10X1.9		22.5	22.5	14		
SW1E9-16	M16X1.5		11X1.9		24	24	17		
SW1E9-18	M18X1.5		13X1.9		26	26	19		
SW1E9-22	M22X1.5		16X2.4		29	29	22		
SW1E9-27	M27X1.5		20X2.4		32.5	32.5	27		
SW1E9-30	M30X1.5		24X2.4		35.5	35.5	30		
SW1E9-36	M36X2		30X3.1		42	42	36		
SW1E9-39	M39X2		32X3.1		47.5	47.5	41		
SW1E9-42	M42X2		35X3.1		49.5	49.5	41		
SW1E9-45	M45X2		38X3.1		52.5	52.5	46		
SW1E9-52	M52X2		40X3.1		57	57	50		

注：O形圈参数为外径与线径。

Note: The parameter of O-Ring is ring outside diameter and ring width.



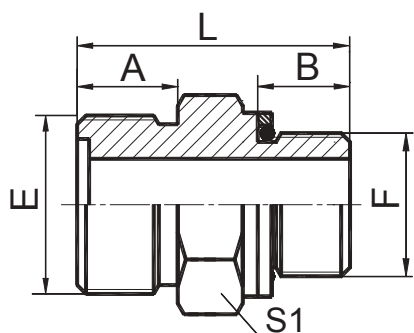
SW1EG

公制外螺纹O形圈/英管外螺纹O形圈
METRIC MALE O-RING/BSP MALE O-RING

代号 PART NO.	螺纹 THREAD		O形圈 O-RING		尺寸 DIMENSIONS				
	E	F	E 端	F 端	A	B	L	S1	
SW1EG-14-06	M14X1.5	G3/8"X19	10X1.9	13.94X2.62	11	11.5	33	22	
SW1EG-16-06	M16X1.5	G3/8"X19	11X1.9	13.94X2.62	11	11.5	33	22	
SW1EG-18-06	M18X1.5	G3/8"X19	13X1.9	13.94X2.62	11	11.5	30.5	22	
SW1EG-22-06	M22X1.5	G3/8"X19	16X2.4	13.94X2.62	12	11.5	31.5	24	
SW1EG-22-08	M22X1.5	G1/2"X14	16X2.4	17.12X2.62	12	14	38	27	
SW1EG-27-06	M27X1.5	G3/8"X19	20X2.4	13.94X2.62	13	11.5	37	30	
SW1EG-30-06	M30X1.5	G3/8"X19	24X2.4	13.94X2.62	14	11.5	39	32	
SW1EG-30-12	M30X1.5	G3/4"X14	24X2.4	23.47X2.62	14	15.5	43.5	32	
SW1EG-36-06	M36X2	G3/8"X19	30X3.1	13.94X2.62	16	11.5	43	38	
SW1EG-36-16	M36X2	G1"X11	30X3.1	29.7X3.53	16	18	50	41	
SW1EG-39-06	M39X2	G3/8"X19	32X3.1	13.94X2.62	18	11.5	45	41	
SW1EG-45-06	M45X2	G3/8"X19	38X3.1	13.94X2.62	21	11.5	48	46	
SW1EG-45-20	M45X2	G1.1/4"X11	38X3.1	37.69X3.53	21	20	59	50	
SW1EG-52-06	M52X2	G3/8"X19	40X3.1	13.94X2.62	22	11.5	51	55	
SW1EG-52-24	M52X2	G1.1/2"X11	40X3.1	44.04X3.53	22	21.5	61.5	55	
SW1EG-60-06	M60X2	G3/8"X19	45X3.1	13.94X2.62	24	11.5	55	65	

注：E 端 O 形圈参数为外径与线径。

Note: The parameter of E end O-Ring is ring outside diameter and ring width.



SW1EH

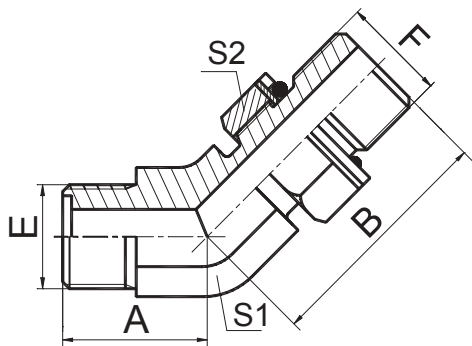
公制外螺纹O形圈平面密封/ 公制外螺纹ISO 6149-2
METRIC MALE O-RING/ METIRC MALE ISO 6149-2

代号 PART NO.	螺 纹 THREAD		O 形圈 O-RING		尺 寸 DIMENSIONS			
	E	F	E 端	F 端	A	B	L	S1
SW1EH-12-10	M12X1.25	M10X1	8X1.9	O08.1X1.6	11	8.5	26.5	14
SW1EH-14-12	M14X1.5	M12X1.5	10X1.9	O09.3X2.4	11	11	29.5	17
SW1EH-16-14	M16X1.5	M14X1.5	11X1.9	O11.3X2.4	11	11	29.5	19
SW1EH-18-16	M18X1.5	M16X1.5	13X1.9	O13.3X2.4	11	11.5	31.5	22
SW1EH-22-18	M22X1.5	M18X1.5	16X2.4	O15.3X2.4	12	12.5	34.5	24
SW1EH-27-22	M27X1.5	M22X1.5	20X2.4	O19.3X2.4	13	15	38	30
SW1EH-30-27	M30X1.5	M27X2	24X2.4	O23.5X3.0	14	18.5	43.5	32
SW1EH-36-33	M36X2	M33X2	30X3.1	O29.2X3.0	16	18.5	47.5	41
SW1EH-39-33	M39X2	M33X2	32X3.1	O29.2X3.0	18	18.5	49.5	41
SW1EH-42	M42X2	M42X2	35X3.1	O38.5X3.0	20	19	54	50
SW1EH-45-42	M45X2	M42X2	38X3.1	O38.5X3.0	20	19	54	50
SW1EH-52-48	M52X2	M48X2	40X3.1	O44.5X3.0	22	21.5	58.5	55

注：1 E 端 O 形圈参数为外径与线径。 2 F 端与 ISO 9974-1 油口相配，去掉挡圈与 ISO 6149-1 油口相配。

Note:1 The parameters of E end O-Ring are ring outside diameter and ring width.

2 F end is connected with ISO 9974-1 port and connected with ISO 6149-1 port without retaining ring.



SW1EH4-OG

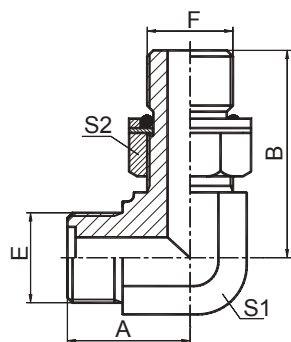
45° 公制外螺纹O形圈平面密封 / 公制
外螺纹可调向柱端 ISO 6149-2
45° METRIC MALE O-RING / METIRC MALE
ADJUSTABLE STUD END ISO 6149-2

代号 PART NO.	螺 纹 THREAD		O 形圈 O-RING		尺 寸 DIMENSIONS				
	E	F	E 端	F 端	A	B	S1	S2	
SW1EH4-12-100G	M12X1.25	M10X1	8X1.9	O08.1X1.6	18	25.5	12	14	
SW1EH4-14-120G	M14X1.5	M12X1.5	10X1.9	O09.3X2.4	19.5	30	14	17	
SW1EH4-16-140G	M16X1.5	M14X1.5	11X1.9	O11.3X2.4	20	30.5	17	19	
SW1EH4-18-160G	M18X1.5	M16X1.5	13X1.9	O13.3X2.4	21.5	34	19	22	
SW1EH4-22-180G	M22X1.5	M18X1.5	16X2.4	O15.3X2.4	23	38	22	24	
SW1EH4-27-220G	M27X1.5	M22X1.5	20X2.4	O19.3X2.4	24.5	40.5	27	27	
SW1EH4-30-270G	M30X1.5	M27X2	24X2.4	O23.5X3.0	26	48	30	32	
SW1EH4-36-330G	M36X2	M33X2	30X3.1	O29.2X3.0	30.5	49.5	36	41	
SW1EH4-39-330G	M39X2	M33X2	32X3.1	O29.2X3.0	36	52	41	41	
SW1EH4-420G	M42X2	M42X2	35X3.1	O38.5X3.0	38	53	41	50	
SW1EH4-45-420G	M45X2	M42X2	38X3.1	O38.5X3.0	39	54	46	50	
SW1EH4-52-480G	M52X2	M48X2	40X3.1	O44.5X3.0	42	58.5	50	55	

注：1 E 端 O 形圈参数为外径与线径。 2 F 端与 ISO 9974-1 油口相配，去掉挡圈则与 ISO 6149-1 油口相配。

Note:1 The parameters of E end O-Ring are ring outside diameter and ring width.

2 F end is connected with ISO 9974-1 port and connected with ISO 6149-1 port without retaining ring.



SW1EH9-OG

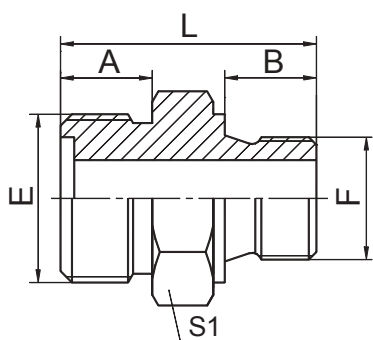
90° 公制外螺纹O形圈平面密封/公制
外螺纹可调向柱端ISO 6149-2
90° METRIC MALE O-RING/ METRIC MALE
ADJUSTABLE STUD END ISO 6149-2

代号 PART NO.	螺纹 THREAD		O形圈 O-RING		尺寸 DIMENSIONS				
	E	F	E端	F端	A	B	S1	S2	
SW1EH9-12-100G	M12X1.25	M10X1	8X1.9	O08.1X1.6	20.5	28.5	12	14	
SW1EH9-14-120G	M14X1.5	M12X1.5	10X1.9	O09.3X2.4	22.5	33.2	14	17	
SW1EH9-16-140G	M16X1.5	M14X1.5	11X1.9	O11.3X2.4	24	36	17	19	
SW1EH9-18-160G	M18X1.5	M16X1.5	13X1.9	O13.3X2.4	26	39	19	22	
SW1EH9-22-180G	M22X1.5	M18X1.5	16X2.4	O15.3X2.4	29	44	22	24	
SW1EH9-27-220G	M27X1.5	M22X1.5	20X2.4	O19.3X2.4	32.5	48	27	27	
SW1EH9-30-270G	M30X1.5	M27X2	24X2.4	O23.5X3.0	35.5	57	30	32	
SW1EH9-36-330G	M36X2	M33X2	30X3.1	O29.2X3.0	42	60.5	36	41	
SW1EH9-39-330G	M39X2	M33X2	32X3.1	O29.2X3.0	47.5	64	41	41	
SW1EH9-42-420G	M42X2	M42X2	35X3.1	O38.5X3.0	49.5	65	41	50	
SW1EH9-45-420G	M45X2	M42X2	38X3.1	O38.5X3.0	52.5	67.5	46	50	
SW1EH9-52-480G	M52X2	M48X2	40X3.1	O44.5X3.0	57	73.5	50	55	

注：1 E端O形圈参数为外径与线径。 2 F端与ISO 9974-1油口相配，去掉挡圈则与ISO 6149-1油口相配。

Note:1 The parameters of E end O-Ring are ring outside diameter and ring width.

2 F end is connected with ISO 9974-1 port and connected with ISO 6149-1 port without retaining ring.



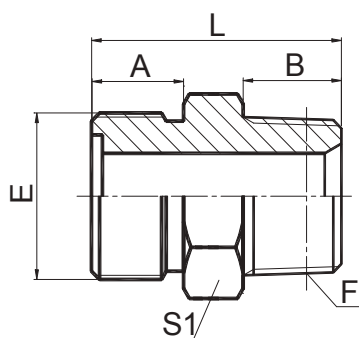
SW1EL

公制外螺纹O形圈平面密封/公制外螺纹组合垫圈
METRIC MALE O-RING/METRIC
MALE WITH BONDED SEAL

代号 PART NO.	螺 纹 THREAD		密封圈 SEAL		尺 寸 DIMENSIONS				
	E	F	E 端	F 端	A	B	L	S1	
SW1EL-14	M14X1.5	M14X1.5	10X1.9	ZHD-14	11	12	30.5	19	
SW1EL-14-16	M14X1.5	M16X1.5	10X1.9	ZHD-16	11	12	31	22	
SW1EL-14-18	M14X1.5	M18X1.5	10X1.9	ZHD-18	11	12	32.5	24	
SW1EL-14-22	M14X1.5	M22X1.5	10X1.9	ZHD-22	11	14	36.5	27	
SW1EL-16-14	M16X1.5	M14X1.5	11X1.9	ZHD-14	11	12	29	19	
SW1EL-16-18	M16X1.5	M18X1.5	11X1.9	ZHD-16	11	12	31	24	
SW1EL-22-18	M22X1.5	M18X1.5	16X2.4	ZHD-18	12	12	33.5	24	
SW1EL-27-22	M27X1.5	M22X1.5	18X2.4	ZHD-22	13	14	38.5	30	
SW1EL-27-33	M27X1.5	M33X2	18X2.4	ZHD-33	13	18	44	41	
SW1EL-30-18	M30X1.5	M18X1.5	24X2.4	ZHD-18	14	12	38.5	32	
SW1EL-30-27	M30X1.5	M27X2	24X2.4	ZHD-27	14	16	41	34	
SW1EL-36-33	M36X2	M33X2	30X3.1	ZHD-33	16	18	49	41	
SW1EL-36-48	M36X2	M48X2	30X3.1	ZHD-48	16	22	53	60	
SW1EL-45-42	M45X2	M42X2	38X3.1	ZHD-42	21	20	56	50	
SW1EL-52-48	M52X2	M48X2	40X3.1	ZHD-48	22	22	61	60	

注：E 端 O 形圈参数为外径与线径，F 端用组合垫密封。

Note: The parameter of E end O-Ring is ring outside diameter and ring width. F end is sealed with bonded seal.



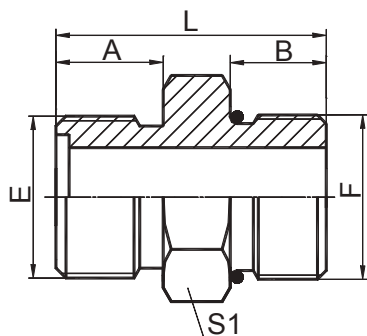
SW1EN

公制外螺纹O形圈平面密封/布锥管外螺纹
METRIC MALE O-RING/NPT MALE

代号 PART NO.	螺纹 THREAD		O形圈 O-RING		尺寸 DIMENSIONS				
	E	F	E 端		A	B	L	S1	
SW1EN-14-04	M14X1.5	Z1/4 "X18	10X1.9		11	15	31	17	
SW1EN-14-06	M14X1.5	Z3/8 "X18	10X1.9		11	16	33	19	
SW1EN-16-04	M16X1.5	Z1/4 " X18	11X1.9		11	15	32	17	
SW1EN-16-06	M16X1.5	Z3/8 "X18	11X1.9		11	16	33	19	
SW1EN-16-08	M16X1.5	Z1/2 "X14	11X1.9		11	19.5	38.5	22	
SW1EN-18-06	M18X1.5	Z3/8 "X18	13X1.9		11	16	33	19	
SW1EN-18-08	M18X1.5	Z1/2 "X14	13X1.9		11	19.5	38.5	22	
SW1EN-22-08	M22X1.5	Z1/2 "X14	16X2.4		12	19.5	39.5	24	
SW1EN-22-12	M22X1.5	Z3/4"X14	16X2.4		12	19.5	41.5	27	
SW1EN-27-08	M27X1.5	Z1/2 "X14	20X2.4		13	19.5	42.5	30	
SW1EN-27-12	M27X1.5	Z3/4"X14	20X2.4		13	19.5	42.5	30	
SW1EN-30-12	M30X1.5	Z3/4"X14	24X2.4		14	19.5	44.5	32	
SW1EN-36-12	M36X2	Z3/4"X14	30X3.1		16	19.5	46.5	38	
SW1EN-36-16	M36X2	Z1"X11.5	30X3.1		16	25.5	52.5	38	
SW1EN-39-16	M39X2	Z1"X11.5	32X3.1		18	25.5	56.5	41	
SW1EN-39-20	M39X2	Z1.1/4"X11.5	32X3.1		18	26.5	57.5	46	
SW1EN-42-16	M42X2	Z1"X11.5	35X3.1		20	25.5	58.5	46	
SW1EN-42-20	M42X2	Z1.1/4"X11.5	35X3.1		20	26.5	59.5	46	
SW1EN-45-20	M45X2	Z1.1/4"X11.5	38X3.1		21	26.5	60.5	46	
SW1EN-52-20	M52X2	Z1.1/4"X11.5	40X3.1		22	26.5	63.5	55	
SW1EN-60-24	M60X2	Z1.1/2"X11.5	45X3.1		24	27.5	68.5	65	

注：E 端 O 形圈参数为外径与线径。

Note: The parameter of E end O-Ring is ring outside diameter and ring width.



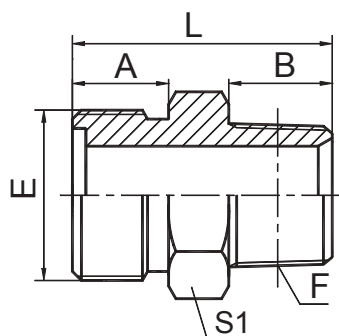
SW1EO

公制外螺纹O形圈平面密封/美制外螺纹
ISO 11926-2、SAE J1926/2
METRIC MALE O-RING/MALE ISO
11926-2、SAE J1926/2

代号 PART NO.	螺纹 THREAD		O形圈 O-RING		尺寸 DIMENSIONS			
	E	F	E端	F端	A	B	L	S
SW1EO-16-05	M16X1.5	1/2"X20	11X1.9	10.52X1.83	11	11	28	17
SW1EO-18-04	M18X1.5	7/16"X20	13X1.9	8.92X1.83	11	11	28	19
SW1EO-18-08	M18X1.5	3/4"X16	13X1.9	16.36X2.21	11	14	33	22
SW1EO-22-20	M22X1.5	1.5/8"X12	16X2.4	37.46X3.00	12	18.5	45.5	50
SW1EO-24-10	M24X1.5	7/8"X14	18X2.4	19.18X2.46	12	16	39	27
SW1EO-36-12	M36X2	1.1/16"X12	30X3.1	23.47X2.95	16	18.5	47.5	38
SW1EO-39-20	M39X2	1.5/8"X12	32X3.1	37.46X3.00	18	18.5	51.5	50
SW1EO-52-20	M52X2	1.5/8"X12	40X3.1	37.46X3.00	22	18.5	55.5	55
SW1EO-52-24	M52X2	1.7/8"X12	40X3.1	43.69X3.00	22	18.5	55.5	55

注：E端O形圈参数为外径与线径。

Note: The parameter of E end O-Ring is ring outside diameter and ring width.



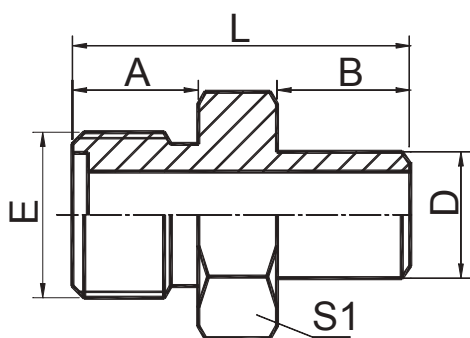
SW1ET-SP

公制外螺纹O形圈平面密封/英锥管外螺纹
METRIC MALE O-RING/BSPT MALE

代号 PART NO.	螺纹 THREAD		O形圈 O-RING		尺寸 DIMENSIONS				
	E	F	E 端		A	B	L	S1	
SW1ET-14-04SP	M14X1.5	R1/4"X19	10X1.9		11	14.5	31.5	14	
SW1ET-14-06SP	M14X1.5	R3/8"X19	10X1.9		11	15	32	17	
SW1ET-16-04SP	M16X1.5	R1/4"X19	11X1.9		11	14.5	31.5	17	
SW1ET-16-06SP	M16X1.5	R3/8"X19	11X1.9		11	15	32	17	
SW1ET-18-06SP	M18X1.5	R3/8"X19	13X1.9		11	15	32	19	
SW1ET-18-08SP	M18X1.5	R1/2"X14	13X1.9		11	20	37	22	
SW1ET-22-08SP	M22X1.5	R1/2"X14	16X2.4		12	20	40	24	
SW1ET-22-12SP	M22X1.5	R3/4"X14	16X2.4		12	20	40	27	
SW1ET-27-08SP	M27X1.5	R1/2"X14	20X2.4		13	20	43	30	
SW1ET-27-12SP	M27X1.5	R3/4"X14	20X2.4		13	20	43	30	
SW1ET-30-12SP	M30X1.5	R3/4"X14	24X2.4		14	20	45	32	
SW1ET-36-12SP	M36X2	R3/4"X14	30X3.1		16	20	47	38	
SW1ET-36-16SP	M36X2	R1"X11	30X3.1		16	25.5	52.5	38	
SW1ET-39-16SP	M39X2	R1"X11	32X3.1		18	25.5	56.5	41	
SW1ET-39-20SP	M39X2	R1.1/4"X11	32X3.1		18	26.5	57.5	46	
SW1ET-42-20SP	M42X2	R1.1/4"X11	35X3.1		20	26.5	59.5	46	
SW1ET-45-20SP	M45X2	R1.1/4"X11	38X3.1		21	26.5	60.5	46	
SW1ET-52-24SP	M52X2	R1.1/2"X11	40X3.1		22	26.5	63.5	55	

注：E 端 O 形圈参数为外径与线径。

Note; The parameter of E end O-Ring is ring outside diameter and ring width.



SW1EW

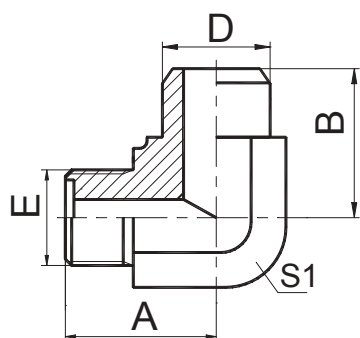
公制外螺纹O形圈平面密封/焊接管

METRIC MALE O-RING/BUTT-WELD TUBE

代号 PART NO.	螺纹 THREAD	管子直径 TUBE O.D.	O形圈 O-RING		尺寸 DIMENSIONS				
	E		E 端	A	B	D	L	S1	
SW1EW-12-06	M12X1.25	6	8X1.9		11	8	6	24	14
SW1EW-14-08	M14X1.5	8	10X1.9		11	8	8	25	17
SW1EW-16-10	M16X1.5	10	11X1.9		11	8	10	25	17
SW1EW-18-12	M18X1.5	12	13X1.9		11	12	12	29	19
SW1EW-22-14	M22X1.5	14	16X2.4		12	12	14	32.5	24
SW1EW-27-18	M27X1.5	18	20X2.4		13	12	18	35	30
SW1EW-30-22	M30X1.5	22	24X2.4		14	14	22	39	32
SW1EW-36-28	M36X2	28	30X3.1		16	16	28	43	38
SW1EW-39-30	M39X2	30	32X3.1		18	16	30	47	41
SW1EW-42-34	M42X2	34	35X3.1		20	16	34	49	46
SW1EW-45-38	M45X2	38	38X3.1		21	18	38	51	46
SW1EW-52-42	M52X2	42	40X3.1		22	18	42	55	55

注：E 端 O 形圈参数为外径与线径。

Note: The parameter of E end O-Ring is ring outside diameter and ring width.



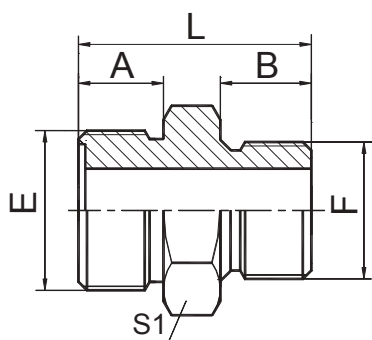
SW1EW9

90° 公制外螺纹O形圈平面密封/焊接管
90° METRIC MALE O-RING/BUTT-WELD TUBE

代号 PART NO.	螺纹 THREAD	管子直径 TUBE O.D.	O形圈 O-RING		尺寸 DIMENSIONS				
	E		E 端		A	B	D		S1
SW1EW9-12-06	M12X1.25	6	8X1.9		20.5	16.5	6		12
SW1EW9-14-08	M14X1.5	8	10X1.9		22.5	17.5	8		14
SW1EW9-16-10	M16X1.5	10	11X1.9		24	19.5	10		17
SW1EW9-18-12	M18X1.5	12	13X1.9		26	25	12		19
SW1EW9-22-14	M22X1.5	14	16X2.4		29	27	14		22
SW1EW9-27-18	M27X1.5	18	20X2.4		32.5	29.5	18		27
SW1EW9-30-22	M30X1.5	22	24X2.4		35.5	33.5	22		30
SW1EW9-36-28	M36X2	28	30X3.1		42	39	28		36
SW1EW9-39-30	M39X2	30	32X3.1		47.5	43	30		41
SW1EW9-42-34	M42X2	34	35X3.1		49.5	43	34		41
SW1EW9-45-38	M45X2	38	38X3.1		52.5	47.5	38		46
SW1EW9-52-42	M52X2	42	40X3.1		57	50	42		50

注：E 端 O 形圈参数为外径与线径。

Note: The parameter of E end O-Ring is ring outside diameter and ring width.



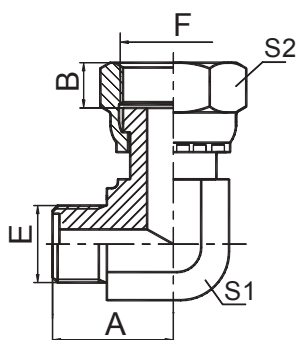
SW1EZ

公制外螺纹O形圈平面密封/英管螺纹组合
 垫密封DIN 3852-2 A型
 METRIC MALE O-RING/BSP
 MALE DIN 3852-2 TYPE A

代号 PART NO.	螺纹 THREAD		密形圈 SEAL		尺寸 DIMENSIONS				
	E	F	E 端	F 端	A	B	L	S1	
SW1EZ-14-04	M14X1.5	G1/4"X19	10X1.9	ZHD-14	11	12	29	19	
SW1EZ-16-04	M16X1.5	G1/4"X19	11X1.9	ZHD-14	11	12	29	19	
SW1EZ-16-06	M16X1.5	G3/8"X19	11X1.9	ZHD-18	11	12	31	22	
SW1EZ-18-06	M18X1.5	G3/8"X19	13X1.9	ZHD-18	11	12	31	22	
SW1EZ-18-08	M18X1.5	G1/2"X14	13X1.9	ZHD-22	11	14	35	30	
SW1EZ-22-08	M22X1.5	G1/2"X14	16X2.4	ZHD-22	12	14	35	27	
SW1EZ-27-08	M27X1.5	G1/2"X14	20X2.4	ZHD-22	13	14	37	30	
SW1EZ-27-12	M27X1.5	G3/4"X14	20X2.4	ZHD-27	13	16	40	32	
SW1EZ-30-12	M30X1.5	G3/4"X14	24X2.4	ZHD-27	14	16	41	32	
SW1EZ-30-16	M30X1.5	G1"X11	24X2.4	ZHD-33	14	18	48	41	
SW1EZ-36-16	M36X2	G1"X11	30X3.1	ZHD-33	16	18	50	41	

注：E 端 O 形圈参数为外径与线径，F 端组合垫尺寸见 P 页。

Note: The parameter of E end O-Ring is ring outside diameter and ring width.



SW2E9

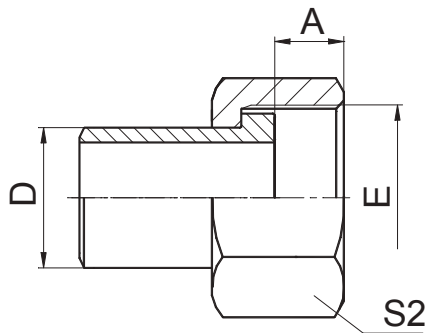
90° 弯公制螺纹O形圈平面密封

90° ELBOW METRIC O-RING

代号 PART NO.	螺 纹 THREAD		O 形圈 O-RING		尺 寸 DIMENSIONS			
	E、F		E 端		A	B	S1	S2
SW2E9-12	M12X1.25		8X1.9		20.5	8	12	17
SW2E9-14	M14X1.5		10X1.9		22.5	8.5	14	19
SW2E9-16	M16X1.5		11X1.9		24	8.5	17	22
SW2E9-18	M18X1.5		13X1.9		26	8.5	19	24
SW2E9-22	M22X1.5		16X2.4		29	10	22	27
SW2E9-27	M27X1.5		20X2.4		32.5	10	27	32
SW2E9-30	M30X1.5		24X2.4		35.5	11	30	36
SW2E9-36	M36X2		30X3.1		42	13	36	41
SW2E9-39	M39X2		32X3.1		47.5	13	41	46
SW2E9-42	M42X2		35X3.1		49.5	15	41	50
SW2E9-45	M45X2		38X3.1		52.5	15	46	55
SW2E9-52	M52X2		40X3.1		57	17	50	60

注：O形圈参数为外径与线径。

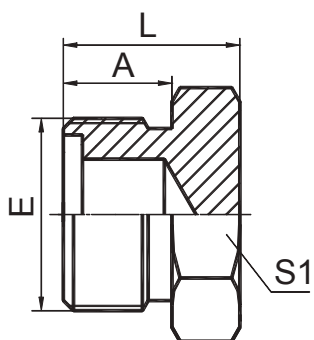
Note: The parameter of O-ring is ring outside diameter and ring width.



SW2WE

焊接管/ 公制内螺纹O形圈平面密封。
BUTT-WELD TUBE/METRIC FEMALE O-RING

代号 PART NO.	螺纹 THREAD	管子直径 TUBE O.D.	尺寸 DIMENSIONS					
	E		A	D	S2			
SW2WE-06-12	M12X1.25	6		8	6	14		
SW2WE-08-14	M14X1.5	8		8.5	8	17		
SW2WE-10-16	M16X1.5	10		8.5	10	19		
SW2WE-12-18	M18X1.5	12		8.5	12	22		
SW2WE-14-22	M22X1.5	14		10	14	27		
SW2WE-18-27	M27X1.5	18		10	18	32		
SW2WE-22-30	M30X1.5	22		11	22	36		
SW2WE-28-36	M36X2	28		13	28	41		
SW2WE-30-39	M39X2	30		13	30	46		
SW2WE-34-42	M42X2	34		15	34	50		
SW2WE-38-45	M45X2	38		15	38	55		
SW2WE-42-52	M52X2	42		17	42	60		
SW2WE-50-60	M60X2	50		20	50	70		
SW2WE-52-64	M64X2	52		23	52	75		



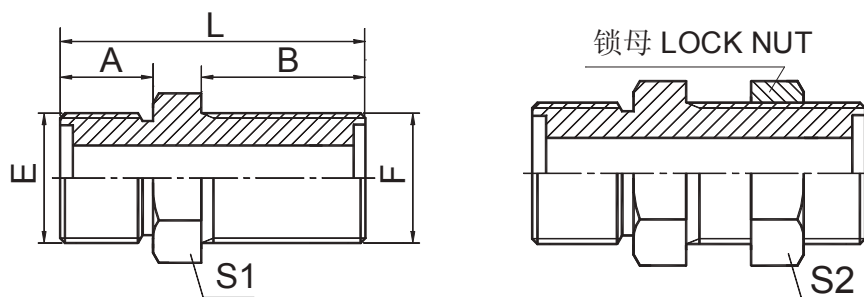
SW4E

公制外螺纹O形圈平面密封 堵头
METRIC MALE O-RING PLUG

代号 PART NO.	螺纹 THREAD		O形圈 O-RING		尺寸 DIMENSIONS			
	E		E 端		A	L	S1	
SW4E-14	M14X1.5		10X1.9		11	17	17	
SW4E-16	M16X1.5		11X1.9		11	17	17	
SW4E-18	M18X1.5		13X1.9		11	17	19	
SW4E-22	M22X1.5		16X2.4		12	20	24	
SW4E-27	M27X1.5		20X2.4		13	23	30	
SW4E-30	M30X1.5		24X2.4		14	25	32	
SW4E-36	M36X2		30X3.1		16	29	38	
SW4E-39	M39X2		32X3.1		18	31	41	
SW4E-42	M42X2		35X3.1		20	33	46	
SW4E-45	M45X2		38X3.1		21	34	46	
SW4E-52	M52X2		40X3.1		22	37	55	
SW4E-60	M60X2		45X3.1		24	41	65	

注：O形圈参数为外径与线径。

Note: The parameter of O-Ring is ring outside diameter and ring width.



SW6E

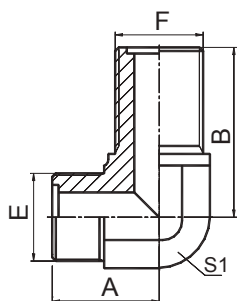
公制外螺纹O形圈平面密封过板接头
METRIC MALE O-RING BULKHEAD

代号 PART NO.	螺 纹 THREAD		O 形圈 O-RING		尺 寸 DIMENSIONS				
	E	F	E 端	F 端	A	B	L	S1	S2
SW6E-12	M12X1.25	M12X1.25	8X1.9	8X1.9	11	31.5	47.5	17	17
SW6E-14	M14X1.5	M14X1.5	10X1.9	10X1.9	11	32.5	49.5	19	19
SW6E-16	M16X1.5	M16X1.5	11X1.9	11X1.9	11	32.5	51.5	22	22
SW6E-18	M18X1.5	M18X1.5	13X1.9	13X1.9	11	33	52	24	24
SW6E-22	M22X1.5	M22X1.5	16X2.4	16X2.4	12	35.5	58	27	30
SW6E-27	M27X1.5	M27X1.5	20X2.4	20X2.4	13	37	61	32	36
SW6E-30	M30X1.5	M30X1.5	24X2.4	24X2.4	14	38	63	36	41
SW6E-36	M36X2	M36X2	30X3.1	30X3.1	16	42	71	41	46
SW6E-39	M39X2	M39X2	32X3.1	32X3.1	18	44	75	46	50
SW6E-42	M42X2	M42X2	35X3.1	35X3.1	20	46	81	50	50
SW6E-45	M45X2	M45X2	38X3.1	38X3.1	21	46	81	55	55
SW6E-52	M52X2	M52X2	40X3.1	40X3.1	22	49	86	60	65

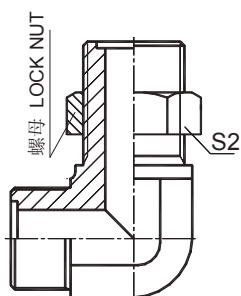
注：1 O形圈参数为外径与线径。 2 如需带锁母订货，则请在代号后加“LN”，如SW6E-30LN，锁母代号为8C。

Note: 1 The parameter of O-Ring is ring outside diameter and ring width.

2 In case if you are interested to order the adapter with lock nut, please insert suffix "LN" after our part no. for example SW6E-30LN, The lock nut no. is 8C.



SW6E9



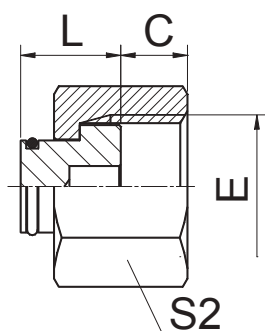
SW6E9-LN

90° 公制外螺纹 O 形圈平面密封过板接头
90° METRIC MALE O-RING BULKHEAD

代号 PART NO.	螺 纹 THREAD		O 形圈 O-RING		尺 寸 DIMENSIONS				
	E	F	E端	F端	A	B		S1	S2
SW6E9-12	M12X1.25	M12X1.25	8X1.9	8X1.9	20.5	44.5		12	17
SW6E9-14	M14X1.5	M14X1.5	10X1.9	10X1.9	22.5	46.5		14	19
SW6E9-16	M16X1.5	M16X1.5	11X1.9	11X1.9	24	48		17	22
SW6E9-18	M18X1.5	M18X1.5	13X1.9	13X1.9	26	50		19	24
SW6E9-22	M22X1.5	M22X1.5	16X2.4	16X2.4	29	54		22	30
SW6E9-27	M27X1.5	M27X1.5	20X2.4	20X2.4	32.5	58.5		27	36
SW6E9-30	M30X1.5	M30X1.5	24X2.4	24X2.4	35.5	61.5		30	41
SW6E9-36	M36X2	M36X2	30X3.1	30X3.1	42	71		36	46
SW6E9-39	M39X2	M39X2	32X3.1	32X3.1	47.5	76		41	50
SW6E9-42	M42X2	M42X2	35X3.1	35X3.1	49.5	78		41	50
SW6E9-45	M45X2	M45X2	38X3.1	38X3.1	52.5	81		46	55
SW6E9-52	M52X2	M52X2	40X3.1	40X3.1	57	86		50	65

注：1 O 形圈参数为外径与线径。 2 如需带锁母订货，则请在代号后加“LN”，如SW6E9-30LN，锁母代号为8C。 Note: 1 The parameter of O-ring is ring outside diameter and ring width.

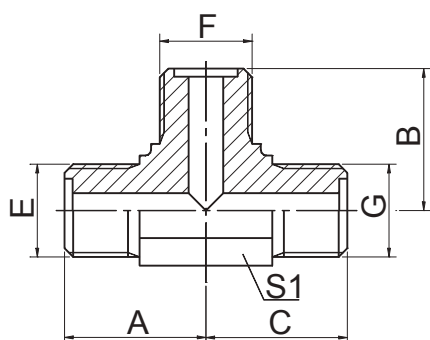
2 In case if you are interested to order the adapter with lock nut, please insert suffix "LN" after our part no. for example SW6E9-30LN, The lock nut no. is 8C.



SW9E

公制内螺纹平面 堵头
METRIC FEMALE FACE PLUG

代号 PART NO.	螺 纹 THREAD			尺 寸 DIMENSIONS		
	E			C	L	S2
SW9E-12	M12X1.25			8	10	14
SW9E-14	M14X1.5			8.5	10.5	17
SW9E-16	M16X1.5			8.5	11.5	19
SW9E-18	M18X1.5			8.5	13	22
SW9E-22	M22X1.5			10	13	27
SW9E-27	M27X1.5			10	15	32
SW9E-30	M30X1.5			11	15	36
SW9E-36	M36X2			13	15.5	41
SW9E-39	M39X2			13	17.5	46
SW9E-42	M42X2			15	18.5	50
SW9E-45	M45X2			15	18.5	55
SW9E-52	M52X2			17	18.5	60



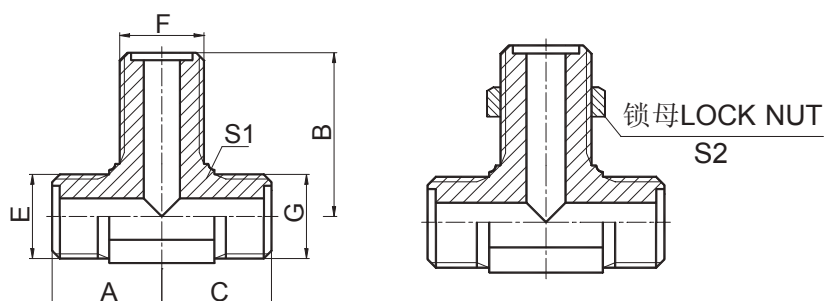
SWAE

公制外螺纹O形圈平面密封三通接头
METRIC MALE O-RING TEE

代号 PART NO.	螺 纹 THREAD		O 形圈 O-RING		尺 寸 DIMENSIONS				
	E、F、G		E、F、G端		A	B	C	S1	
SWAE-14	M14X1.5		10X1.9		22.5	22.5	22.5	14	
SWAE-16	M16X1.5		11X1.9		24	24	24	17	
SWAE-18	M18X1.5		13X1.9		26	26	26	19	
SWAE-22	M22X1.5		16X2.4		29	29	29	22	
SWAE-27	M27X1.5		20X2.4		32.5	32.5	32.5	27	
SWAE-30	M30X1.5		24X2.4		35.5	35.5	35.5	30	
SWAE-36	M36X2		30X3.1		42	42	42	36	
SWAE-39	M39X2		32X3.1		47.5	47.5	47.5	41	
SWAE-42	M42X2		35X3.1		49.5	49.5	49.5	41	
SWAE-45	M45X2		38X3.1		52.5	52.5	52.5	46	
SWAE-52	M52X2		40X3.1		57	57	57	50	

注：O形圈参数为外径与线径。

Note: The parameter of O-Ring is ring outside diameter and ring width.



SWAE6EE

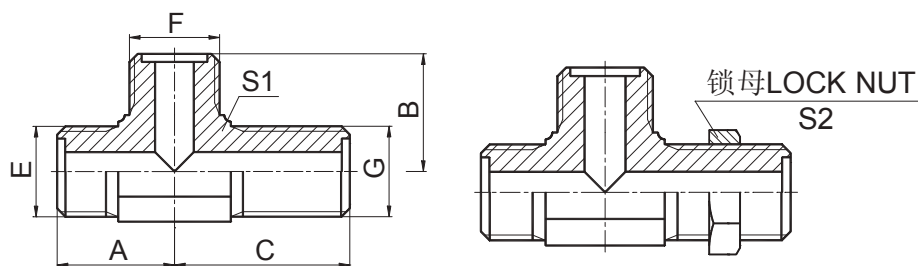
公制外螺纹O形圈平面密封过板三通接头
METRIC MALE O-RING BULKHEAD BRANCH TEE

代号 PART NO.	螺纹 THREAD		O形圈 O-RING		尺寸 DIMENSIONS				
	E、F、G		E、F、G端		A	B	C	S1	S2
SWAE6EE-12	M12X1.25		8X1.9		20.5	44.5	20.5	12	17
SWAE6EE-14	M14X1.5		10X1.9		22.5	46.5	22.5	14	19
SWAE6EE-16	M16X1.5		11X1.9		24	48	24	17	22
SWAE6EE-18	M18X1.5		13X1.9		26	50	26	19	24
SWAE6EE-22	M22X1.5		16X2.4		29	54	29	22	30
SWAE6EE-27	M27X1.5		20X2.4		32.5	58.5	32.5	27	36
SWAE6EE-30	M30X1.5		24X2.4		35.5	61.5	35.5	30	41
SWAE6EE-36	M36X2		30X3.1		42	71	42	36	46
SWAE6EE-39	M39X2		32X3.1		47.5	76	47.5	41	50
SWAE6EE-42	M42X2		35X3.1		49.5	78	49.5	41	50
SWAE6EE-45	M45X2		38X3.1		52.5	81	52.5	46	55
SWAE6EE-52	M52X2		40X3.1		57	86	57	50	65

注：1 O形圈参数为外径与线径。 2 如需带锁母订货，则请在代号后加“LN”，如SWAE6EE-30LN。

Note: 1 The parameter of O-Ring is ring outside diameter and ring width.

2 In case if you are interested to order the adapter with lock nut, please insert suffix "LN" after our part no. for example SWAE6EE-30LN .



SWAEE6E

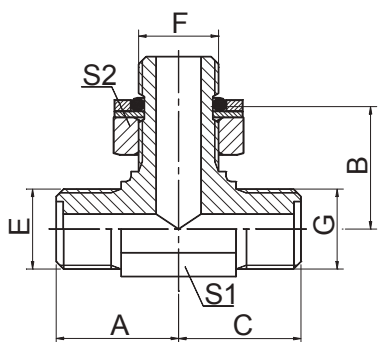
公制外螺纹O形圈平面密封过板三通接头
METRIC MALE O-RING BULKHEAD RUN TEE

代号 PART NO.	螺纹 THREAD		O形圈 O-RING		尺寸 DIMENSIONS				
	E、F、G		E、F、G端		A	B	C	S1	S2
SWAEE6E-12	M12X1.25		8X1.9		20.5	20.5	44.5	12	17
SWAEE6E-14	M14X1.5		10X1.9		22.5	22.5	46.5	14	19
SWAEE6E-16	M16X1.5		11X1.9		24	24	48	17	22
SWAEE6E-18	M18X1.5		13X1.9		26	26	50	19	24
SWAEE6E-22	M22X1.5		16X2.4		29	29	54	22	30
SWAEE6E-27	M27X1.5		20X2.4		32.5	32.5	58.5	27	36
SWAEE6E-30	M30X1.5		24X2.4		35.5	35.5	61.5	30	41
SWAEE6E-36	M36X2		30X3.1		42	42	71	36	46
SWAEE6E-39	M39X2		32X3.1		47.5	47.5	76	41	50
SWAEE6E-42	M42X2		35X3.1		49.5	49.5	78	41	50
SWAEE6E-45	M45X2		38X3.1		52.5	52.5	81	46	55
SWAEE6E-52	M52X2		40X3.1		57	57	86	50	65

注：1 O形圈参数为外径与线径。 2 如需带锁母订货，则请在代号后加“LN”，如SWAEE6E-30LN。

Note: 1 The parameter of O-Ring is ring outside diameter and ring width.

2 In case if you are interested to order the adapter with lock nut, please insert suffix "LN" after our part no. for example SWAEE6E-30LN .



SWAEHE-OG

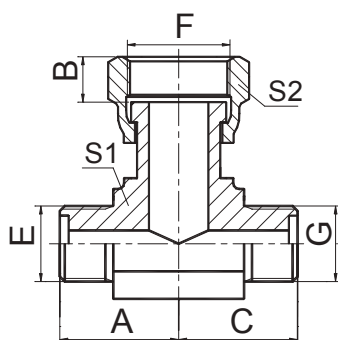
公制外螺纹O形圈平面密封 / 公制
 外螺纹可调向柱端ISO 6149-2 三通
 METRIC MALE O-RING / METRIC MALE ADJUSTABLE
 STUD END ISO 6149-2 BRANCH TEE

代号 PART NO.	螺 纹 THREAD		O 形圈 O-RING		尺 寸 DIMENSIONS				
	E、G	F	E、G 端	F 端	A	B	C	S1	S2
SWAEHE-12-10-12OG	M12X1.25	M10X1	10X1.9	O08.1X1.6	20.5	28.5	20.5	12	14
SWAEHE-14-12-14OG	M14X1.5	M12X1.5	11X1.9	O09.3X2.4	22.5	33.2	22.5	14	17
SWAEHE-16-14-16OG	M16X1.5	M14X1.5	13X1.9	O11.3X2.4	24	36	24	17	19
SWAEHE-18-16-18OG	M18X1.5	M16X1.5	16X2.4	O13.3X2.4	26	39	26	19	22
SWAEHE-22-18-22OG	M22X1.5	M18X1.5	18X2.4	O15.3X2.4	29	44	29	22	24
SWAEHE-27-22-27OG	M27X1.5	M22X1.5	20X2.4	O19.3X2.4	32.5	48	32.5	27	27
SWAEHE-30-27-30OG	M30X1.5	M27X2	24X2.4	O23.5X3.0	35.5	57	35.5	30	32
SWAEHE-36-33-36OG	M36X2	M33X2	30X3.1	O29.2X3.0	42	60.5	42	36	41
SWAEHE-39-33-39OG	M39X2	M33X2	35X3.1	O29.2X3.0	47.5	64	47.5	41	41
SWAEHE-42-42-42OG	M42X2	M42X2	38X3.1	O38.5X3.0	49.5	65	49.5	41	50
SWAEHE-45-42-45OG	M45X2	M42X2	40X3.1	O38.5X3.0	52.5	67.5	52.5	46	50

注：1 E、F 端 O 形圈参数为外径与线径。 2 G 端与 ISO 6149-1 油口相配。

Note:1 The parameters of E、F end O-Ring are ring outside diameter and ring width.

2 G end is connected with ISO 6149-1 port.



SWBE

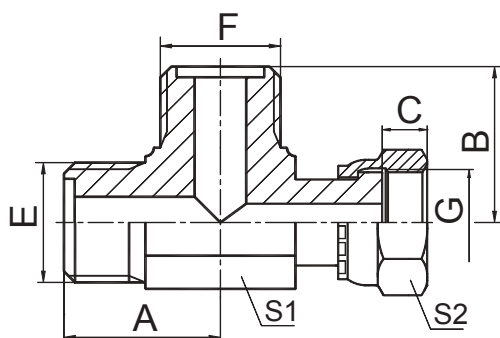
公制外螺纹O形圈平面密封/公制内螺纹平面分支三通接头

METRIC MALE O-RING / METRIC FEMALE BRANCH TEE

代号 PART NO.	螺纹 THREAD		O形圈 O-RING		尺寸 DIMENSIONS				
	E、F、G		E、G端		A	B	C	S1	S2
SWBE-14	M14X1.5		10X1.9		22.5	8.5	22.5	14	19
SWBE-16	M16X1.5		11X1.9		24	8.5	24	17	22
SWBE-18	M18X1.5		13X1.9		26	8.5	26	19	24
SWBE-22	M22X1.5		16X2.4		29	10	29	22	27
SWBE-27	M27X1.5		20X2.4		32.5	10	32.5	27	32
SWBE-30	M30X1.5		24X2.4		35.5	11	35.5	30	36
SWBE-36	M36X2		30X3.1		42	13	42	36	41
SWBE-39	M39X2		32X3.1		47.5	13	47.5	41	46
SWBE-42	M42X2		35X3.1		49.5	15	49.5	41	50
SWBE-45	M45X2		38X3.1		52.5	15	52.5	46	55
SWBE-52	M52X2		40X3.1		57	17	57	50	60

注：O形圈参数为外径与线径。

Note: The parameter of O-Ring is ring outside diameter and ring width.



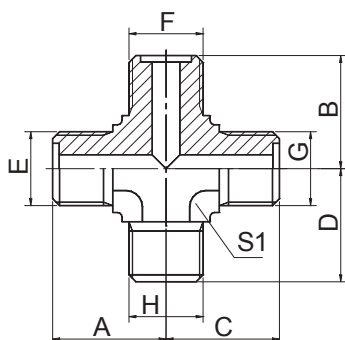
SWCE

公制外螺纹O形圈平面密封 / 公制内螺纹
平面主支三通接头
METRIC MALE O-RING / METRIC
FEMALE RUN TEE

代号 PART NO.	螺纹 THREAD		O形圈 O-RING		尺寸 DIMENSIONS				
	E、F、G		E、F端		A	B	C	S1	S2
SWCE-14	M14X1.5		10X1.9		22.5	22.5	8.5	14	19
SWCE-16	M16X1.5		11X1.9		24	24	8.5	17	22
SWCE-18	M18X1.5		13X1.9		26	26	8.5	19	24
SWCE-22	M22X1.5		16X2.4		29	29	10	22	27
SWCE-27	M27X1.5		20X2.4		32.5	32.5	10	27	32
SWCE-30	M30X1.5		24X2.4		35.5	35.5	11	30	36
SWCE-36	M36X2		30X3.1		42	42	13	36	41
SWCE-39	M39X2		32X3.1		47.5	47.5	13	41	46
SWCE-42	M42X2		35X3.1		49.5	49.5	15	41	50
SWCE-45	M45X2		38X3.1		52.5	52.5	15	46	55
SWCE-52	M52X2		40X3.1		57	57	17	50	60

注：O形圈参数为外径与线径。

Note: The parameter of O-Ring is ring outside diameter and ring width.



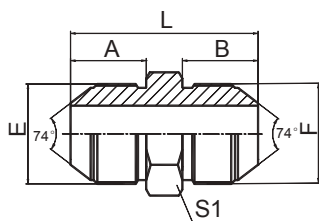
SWXE

公制外螺纹O形圈平面密封 四通接头
METRIC MALE O-RING CROSS

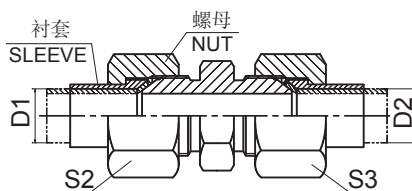
代号 PART NO.	螺 纹 THREAD		O 形圈 O-RING		尺 寸 DIMENSIONS				
	E、F、G、H		E、F、G、H端		A	B	C	D	S1
SWXE-14	M14X1.5		10X1.9		22.5	22.5	22.5	22.5	14
SWXE-16	M16X1.5		11X1.9		24	24	24	24	17
SWXE-18	M18X1.5		13X1.9		26	26	26	26	19
SWXE-22	M22X1.5		16X2.4		29	29	29	29	22
SWXE-27	M27X1.5		20X2.4		32.5	32.5	32.5	32.5	27
SWXE-30	M30X1.5		24X2.4		35.5	35.5	35.5	35.5	30
SWXE-36	M36X2		30X3.1		42	42	42	42	36
SWXE-39	M39X2		32X3.1		47.5	47.5	47.5	47.5	41
SWXE-42	M42X2		35X3.1		49.5	49.5	49.5	49.5	41
SWXE-45	M45X2		38X3.1		52.5	52.5	52.5	52.5	46
SWXE-52	M52X2		40X3.1		57	57	57	57	50

注：O形圈参数为外径与线径。

Note: The parameter of O-Ring is ring outside diameter and ring width.



SW1Q



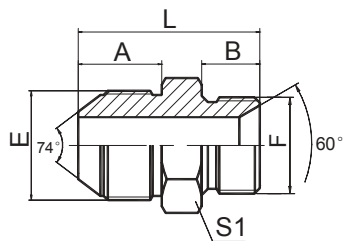
SW1Q-RN

公制外螺纹 74° 外锥
METRIC MALE 74° CONE

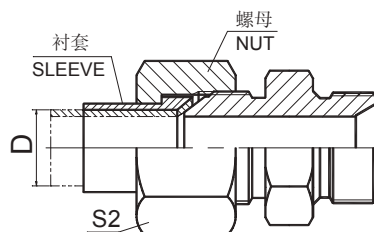
代号 PART NO.	螺纹 THREAD		管子外径 TUBE O.D.		尺寸 DIMENSIONS				
	E	F	D1,D2		A	B	L	S1	S2, S3
SW1Q-10	M10X1	M10X1	5		12	12	30	12	14
SW1Q-12	M12X1.5	M12X1.5	6		15.7	15.7	37.5	14	14
SW1Q-14	M14X1.5	M14X1.5	8		17	17	40	17	17
SW1Q-16	M16X1.5	M16X1.5	10		18	18	42	17	19
SW1Q-18	M18X1.5	M18X1.5	12		18	18	42	19	22
SW1Q-22	M22X1.5	M22X1.5	14		19.5	19.5	47	24	27
SW1Q-24	M24X1.5	M24X1.5	16		20	20	50	27	30
SW1Q-27	M27X1.5	M27X1.5	18		20	20	50	30	32
SW1Q-30	M30X1.5	M30X1.5	20		23	23	57	32	36
SW1Q-30E	M30X2	M30X2	20		26	26	63	32	36
SW1Q-33	M33X2	M33X2	22		26	26	63	36	38
SW1Q-36	M36X2	M36X2	25		26	26	63	38	41
SW1Q-39	M39X2	M39X2	28		26	26	65	41	46
SW1Q-42	M42X2	M42X2	32		28.5	28.5	70	46	50
SW1Q-45	M45X2	M45X2	34		28.5	28.5	70	46	55

注：如需带衬套及螺母整套订货，则请在代号后加“RN”，如SW1Q-18RN，衬套代号NB500-Q，螺母代号NB200-Q。

Note: In case if you are interested to order the adapter in complete set with sleeve and nut, it is necessary to insert suffix "RN" after our part no., for example SW1Q-18RN, The sleeve NO. is NB500-Q and the nut NO. is NB200-Q.



SW1QB



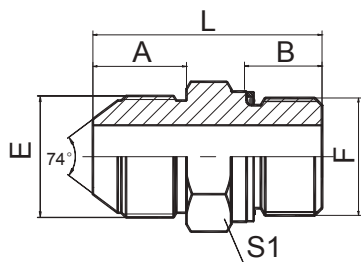
SW1QB-RN

公制外螺纹 74° 外锥 / 英管外螺纹
 60° 内锥或六角端面用组合垫密封
 METRIC MALE 74° CONE / BSP MALE DOUBLE
 USE FOR 60° CONE SEAT OR BONDED SEAL

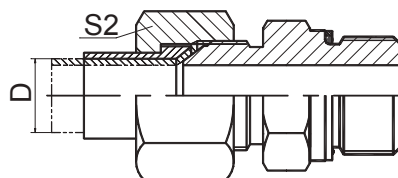
代号 PART NO.	螺纹 THREAD		管子外径 TUBE O.D.		尺寸 DIMENSIONS				
	E	F	D		A	B	L	S1	S2
SW1QB-12-02	M12X1.5	G1/8"X28	6		15.7	10	32	14	14
SW1QB-14-04	M14X1.5	G1/4"X19	8		17	12	35	19	17
SW1QB-16-06	M16X1.5	G3/8"X19	10		18	13.5	39.5	22	19
SW1QB-18-06	M18X1.5	G3/8"X19	12		18	13.5	39.5	22	22
SW1QB-22-08	M22X1.5	G1/2"X14	14		19.5	16	45.5	27	27
SW1QB-24-10	M24X1.5	G5/8"X14	16		20	17.5	47.5	30	30
SW1QB-27-12	M27X1.5	G3/4"X14	18		20	18.5	49.5	32	32
SW1QB-30-12	M30X1.5	G3/4"X14	20		23	18.5	52.5	32	36
SW1QB-30E-12	M30X2	G3/4"X14	20		26	18.5	55.5	32	36
SW1QB-33-16	M33X2	G1"X11	22		26	20.5	59.5	41	38
SW1QB-39-16	M39X2	G1"X11	28		26	20.5	59.5	41	46
SW1QB-45-20	M45X2	G1.1/4"X11	34		28.5	20.5	64	50	55

注：如需带衬套及螺母整套订货，则请在代号后加“RN”，如SW1QB-18-06RN，衬套代号NB500-Q，螺母代号NB200-Q。

Note: In case if you are interested to order the adapter in complete set with sleeve and nut, it is necessary to insert suffix "RN" after our part no., for example SW1QB-18-06RN, The sleeve NO. is NB500-Q and the nut NO. is NB200-Q.



SW1QG



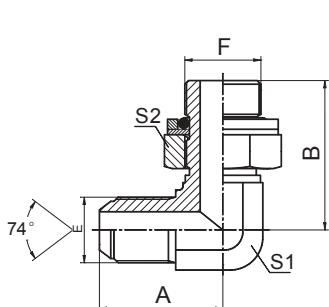
SW1QG-RN

公制外螺纹 74° 外锥 / 英管外螺纹 O 形圈
 METRIC MALE 74° CONE / BSP MALE O-RING

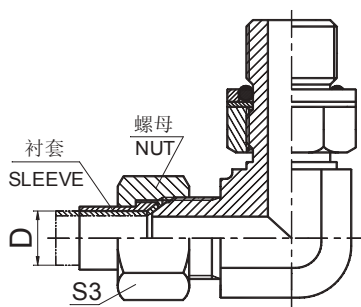
代号 PART NO.	螺纹 THREAD		管子外径 D TUBE O.D.	O 形圈 O-RING F 端	尺寸 DIMENSIONS				
	E	F			A	B	L	S1	S2
SW1QG-14-04	M14X1.5	G1/4"X19	8	O111	17	11	36	19	17
SW1QG-16-06	M16X1.5	G3/8"X19	10	O113	18	11.5	40	22	19
SW1QG-18-06	M18X1.5	G3/8"X19	12	O113	18	11.5	40	22	22
SW1QG-18-08	M18X1.5	G1/2"X14	12	O115	18	14	43	27	22
SW1QG-22-08	M22X1.5	G1/2"X14	14	O115	19.5	14	44.5	27	27
SW1QG-27-12	M27X1.5	G3/4"X14	18	O119	20	15.5	49.5	32	32
SW1QG-30-12	M30X1.5	G3/4"X14	20	O119	23	15.5	52.5	32	36
SW1QG-39-16	M39X2	G1"X11	28	O217	26	18	60	41	46
SW1QG-45-20	M45X2	G1.1/4"X11	34	O222	28.5	20	66.5	50	55

注：1 如需带衬套及螺母整套订货，则请在代号后加“RN”，如SW1QG-18-06RN，衬套代号NB500-Q，螺母代号NB200-Q。2 F 端与DIN 3852 油口相配。

Note: In case if you are interested to order the adapter in complete set with sleeve and nut, it is necessary to insert suffix "RN" after our part no., for example SW1QG-18-06RN, The sleeve NO. is NB500-Q and the nut NO. is NB200-Q. 2 F end is connected with DIN 3852 port.



SW1QH9-OG



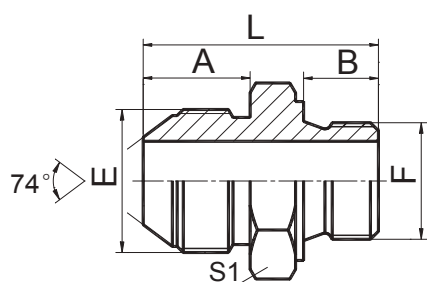
SW1QH9-OG/RN

90° 弯公制 74° 外锥 / 公制外螺纹
 可调向柱端轻系列 ISO 6149-3
 90° ELBOW METRIC 74° CONE / METIRC MALE
 ADJUSTABLE STUD END L-SERIES ISO 6149-3

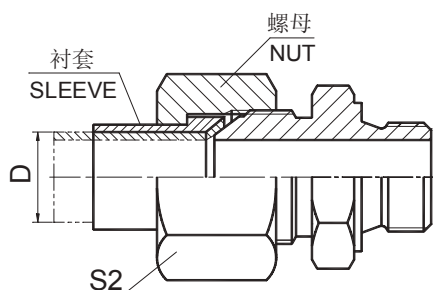
代号 PART NO.	螺 纹 THREAD		管子外径 D TUBE O.D.	O形圈 O-RING F 端	尺 寸 DIMENSIONS				
	E	F			A	B	S1	S2	S3
SW1QH9-14-12OG	M14X1.5	M12X1.5	8	O09.3X2.4	30.2	32	14	17	17
SW1QH9-16-14OG	M16X1.5	M14X1.5	10	O11.3X2.4	32	35.5	16	19	19
SW1QH9-18-16OG	M18x1.5	M16x1.5	12	O13.3X2.4	34	36	19	22	22
SW1QH9-22-18OG	M22x1.5	M18x1.5	14	O15.3X2.4	37.5	39.5	22	24	27
SW1QH9-27-22OG	M27x1.5	M22x1.5	18	O19.3X2.4	41.5	43.5	27	27	32
SW1QH9-30-27OG	M30x1.5	M27x2	20	O23.5X3.0	45.8	50	30	32	36
SW1QH9-33-27OG	M33x2	M27x2	22	O23.5X3.0	49.5	52	33	32	41
SW1QH9-36-33OG	M36x2	M33x2	25	O29.2X3.0	51.5	54	36	41	41
SW1QH9-39-33OG	M39x2	M33x2	28	O29.2X3.0	55.5	57.2	41	41	46
SW1QH9-45-42OG	M45x2	M42x2	34	O38.5X3.0	62.5	61	48	50	50

注：1 如需带衬套及螺母整套订货，则请在代号后加“RN”，如SW1QH9-22-18/RN，衬套代号NB500-Q，螺母代号NB200-Q。 2 F端与ISO 9974-1油口相配，去掉挡圈则与ISO 6149-1油口相配。

Note: 1 In case if you are interested to order the adapter in complete set with sleeve and nut , it is necessary to insert suffix "RN" after our part no.,for example SW1QH9-22-18/RN, The sleeve NO. is NB500-Q and the nut NO. is NB200-Q。 2 Fend is connected with ISO 9974-1 port and connected with ISO 6149-1 port without retaining ring.



SW1QL

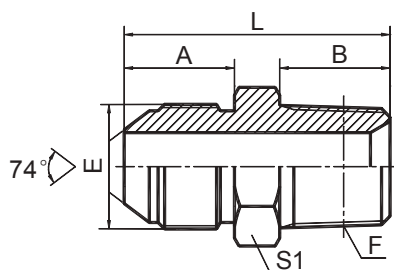


SW1QL-RN

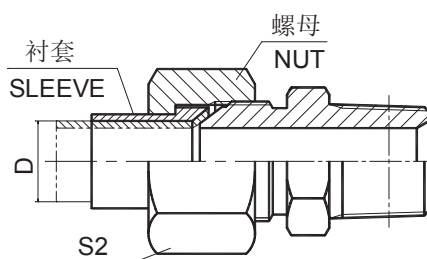
公制外螺纹 74° 外锥 / 公制外螺纹组合垫圈
 METRIC MALE 74° CONE / METRIC
 MALE WITH BONDED SEAL

代号 PART NO.	螺纹 THREAD		管子外径 D TUBE O.D.	组合垫圈 BONDED SEAL	尺寸 DIMENSIONS				
	E	F			A	B	L	S1	S2
SW1QL-10	M10X1	M10X1	5	ZHD-10	12	8	27	17	14
SW1QL-12	M12X1.5	M12X1.5	6	ZHD-12	15.7	12	35.2	17	14
SW1QL-12-10	M12X1.5	M10X1	6	ZHD-10	15.7	8	30.5	17	14
SW1QL-14	M14X1.5	M14X1.5	8	ZHD-14	17	12	36.5	19	17
SW1QL-14-10	M14X1.5	M10X1	8	ZHD-10	17	8	32	17	17
SW1QL-14-12	M14X1.5	M12X1.5	8	ZHD-12	17	12	36.5	17	17
SW1QL-14-16	M14X1.5	M16X1.5	8	ZHD-16	17	12	37	22	17
SW1QL-16	M16X1.5	M16X1.5	10	ZHD-16	18	12	38	22	19
SW1QL-16-14	M16X1.5	M14X1.5	10	ZHD-14	18	12	37	19	19
SW1QL-18	M18X1.5	M18X1.5	12	ZHD-18	18	12	39.5	24	22
SW1QL-18-16	M18X1.5	M16X1.5	12	ZHD-16	18	12	38	22	22
SW1QL-22	M22X1.5	M22X1.5	14	ZHD-22	19.5	14	43.5	27	27
SW1QL-22-18	M22X1.5	M18X1.5	14	ZHD-18	19.5	12	41	24	27
SW1QL-27	M27X1.5	M27X2	18	ZHD-27	20	16	49	34	32
SW1QL-27-22	M27X1.5	M22X1.5	18	ZHD-22	20	14	44	30	32
SW1QL-30-27	M30X1.5	M27X2	20	ZHD-27	23	16	50	34	36
SW1QL-33	M33X2	M33X2	22	ZHD-33	26	18	57	41	38
SW1QL-33-27	M33X2	M27X2	22	ZHD-27	26	16	55	34	38
SW1QL-36-33	M36X2	M33X2	25	ZHD-33	26	18	58	41	41
SW1QL-39-33	M39X2	M33X2	28	ZHD-33	26	18	59	41	46
SW1QL-42	M42X2	M42X2	32	ZHD-42	28.5	20	65.5	50	50
SW1QL-45-42	M45X2	M42X2	34	ZHD-42	28.5	20	65.5	50	55

注：如需带衬套及螺母整套订货，则请在代号后加“RN”，如SW1QL-18RN，衬套代号NB500-Q，螺母代号NB200-Q。
 Note: In case if you are interested to order the adapter in complete set with sleeve and nut, it is necessary to insert suffix "RN" after our part no., for example SW1QL-18RN, The sleeve NO. is NB500-Q and the nut NO. is NB200-Q.



SW1QN



SW1QN-RN

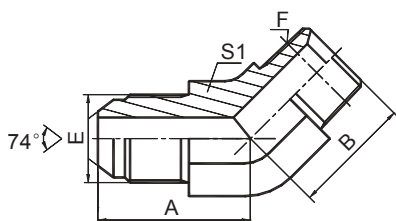
公制外螺纹 74° 外锥 / 布锥管外螺纹
METRIC MALE 74° CONE/NPT MALE

代号 PART NO.	螺 纹 THREAD		管子外径 TUBE O.D.		尺 寸 DIMENSIONS				
	E	F	D		A	B	L	S1	S2
SW1QN-12-02	M12X1.5	Z1/8"X27	6		15.7	10.5	32	14	14
SW1QN-12-04	M12X1.5	Z1/4"X18	6		15.7	15	36.5	14	14
SW1QN-14-02	M14X1.5	Z1/8"X27	8		17	10.5	33	17	17
SW1QN-14-04	M14X1.5	Z1/4"X18	8		17	15	38	17	17
SW1QN-16-04	M16X1.5	Z1/4"X18	10		18	15	39	17	19
SW1QN-16-06	M16X1.5	Z3/8"X18	10		18	16	40	19	19
SW1QN-18-04	M18X1.5	Z1/4"X18	12		18	15	39	19	22
SW1QN-18-06	M18X1.5	Z3/8"X18	12		18	16	40	19	22
SW1QN-18-08	M18X1.5	Z1/2"X14	12		18	19.5	45.5	22	22
SW1QN-22-06	M22X1.5	Z3/8"X18	14		19.5	16	43.5	24	27
SW1QN-22-08	M22X1.5	Z1/2"X14	14		19.5	19.5	47	24	27
SW1QN-27-06	M27X1.5	Z3/8"X18	18		20	16.5	46	30	32
SW1QN-27-08	M27X1.5	Z1/2"X14	18		20	19.5	49.5	30	32
SW1QN-27-12	M27X1.5	Z3/4"X14	18		20	19.5	49.5	30	32
SW1QN-27-16	M27X1.5	Z1"X11.5	18		20	25.5	56.5	36	32
SW1QN-30-12	M30X1.5	Z3/4"X14	20		23	19.5	53.5	32	36
SW1QN-33-12	M33X2	Z3/4"X14	22		26	19.5	56.5	36	38
SW1QN-36-16	M36X2	Z1"X11.5	25		26	25.5	63	41	41
SW1QN-39-16	M39X2	Z1"X11.5	28		26	25.5	64.5	41	46
SW1QN-45-16	M45X2	Z1"X11.5	34		28.5	25.5	67	46	55
SW1QN-45-20	M45X2	Z1.1/4"X11.5	34		28.5	26.5	68	46	55
SW1QN-45-24	M45X2	Z1.1/2"X11.5	34		28.5	27.5	71	50	55

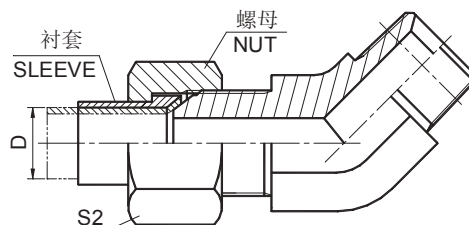
注：如需带衬套及螺母整套订货，则请在代号后加“RN”，如SW1QN-22-08RN，衬套代号NB500-Q，螺母代号NB200-Q。

Note: In case if you are interested to order the adapter in complete set with sleeve and nut, it is necessary to insert suffix "RN" after our part no., for example SW1QN-22-08RN, The sleeve NO. is NB500-Q and the nut NO. is NB200-Q.

Z1/8"X27	10.5
Z1/4"X18	15
Z3/8"X18	16
Z1/2"X14	19.5
Z3/4"X14	19.5
Z1"X11.5	25.5
Z1.1/4"X11.5	26.5
Z1.1/2"X11.5	27.5
Z2"X11.5	27.5



SW1QN4

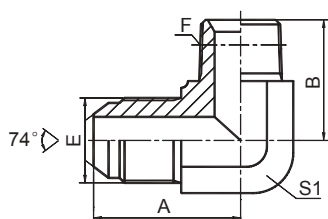


SW1QN4-RN

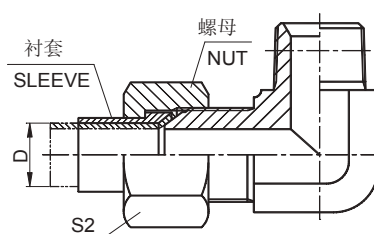
45° 弯公制外螺纹74° 外锥 / 布锥管外螺纹
 45° ELBOW METRIC MALE 74° CONE / NPT MALE

代号 PART NO.	螺纹 THREAD		管子外径 TUBE O.D.		尺寸 DIMENSIONS				
	E	F	D		A	B	S1	S2	
SW1QN4-12-02	M12X1.5	Z1/8"X27	6		23	17	11	14	
SW1QN4-14-02	M14X1.5	Z1/8"X27	8		26	18	14	17	
SW1QN4-14-04	M14X1.5	Z1/4"X18	8		26	21	14	17	
SW1QN4-16-06	M16X1.5	Z3/8"X18	10		24	24	16	19	
SW1QN4-18-06	M18X1.5	Z3/8"X18	12		28	24	19	22	
SW1QN4-22-08	M22X1.5	Z1/2"X14	14		30.5	29.5	22	27	
SW1QN4-27-08	M27X1.5	Z1/2"X14	18		33	31	27	32	
SW1QN4-27-12	M27X1.5	Z3/4"X14	18		33	35	27	32	
SW1QN4-30-12	M30X1.5	Z3/4"X14	20		36.2	35.5	30	36	
SW1QN4-36-16	M36X2	Z1"X11.5	25		42	41	36	41	
SW1QN4-39-16	M39X2	Z1"X11.5	28		44.5	42.5	41	46	
SW1QN4-42-20	M42X2	Z1.1/4"X11.5	32		47	43	41	50	

注：如需带衬套及螺母整套订货，则请在代号后加“RN”，如SW1QN4-22-08RN，衬套代号NB500-Q，螺母代号NB200-Q。
 Note: In case if you are interested to order the adapter in complete set with sleeve and nut, it is necessary to insert suffix "RN" after our part no., for example SW1QN4-22-08RN, The sleeve NO. is NB500-Q and the nut NO. is NB200-Q.



SW1QN9



SW1QN9-RN

90° 弯公制外螺纹 74° 外锥 / 布锥管外螺纹
90° ELBOW METRIC MALE 74° CONE / NPT MALE

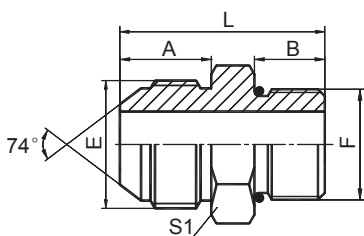
代号 PART NO.	螺 纹 THREAD		管子外径 TUBE O.D	尺 寸 DIMENSIONS			
	E	F		A	B	S1	S2
SW1QN9-12-02	M12X1.5	Z1/8"X27	6	25.5	21	11	14
SW1QN9-12-04	M12X1.5	Z1/4"X18	6	28	25.5	14	14
SW1QN9-14-02	M14X1.5	Z1/8"X27	8	30.2	23.5	14	17
SW1QN9-14-04	M14X1.5	Z1/4"X18	8	30.2	25.5	14	17
SW1QN9-16-04	M16X1.5	Z1/4"X18	10	32	26.5	16	19
SW1QN9-16-06	M16X1.5	Z3/8"X18	10	32	30	16	19
SW1QN9-16-08	M16X1.5	Z1/2"X14	10	36	36.7	22	19
SW1QN9-18-04	M18X1.5	Z1/4"X18	12	34	28.7	19	22
SW1QN9-18-06	M18X1.5	Z3/8"X18	12	34	31	19	22
SW1QN9-22-06	M22X1.5	Z3/8"X18	14	37.5	32.5	22	27
SW1QN9-22-08	M22X1.5	Z1/2"X14	14	37.5	36.7	22	27
SW1QN9-27-08	M27X1.5	Z1/2"X14	18	41.5	40	27	32
SW1QN9-27-12	M27X1.5	Z3/4"X14	18	41.5	44	27	32
SW1QN9-27-16	M27X1.5	Z1"X11.5	18	45	49	33	32
SW1QN9-30-12	M30X1.5	Z3/4"X14	20	45.8	45	30	36
SW1QN9-36-16	M36X2	Z1"X11.5	25	51.5	51.5	36	41
SW1QN9-39-16	M39X2	Z1"X11.5	28	55.5	54.5	41	46
SW1QN9-42-20	M42X2	Z1.1/4"X11.5	32	57	54.5	41	50
SW1QN9-45-16	M45X2	Z1"X11.5	34	62.5	58.5	48	55
SW1QN9-45-20	M45X2	Z1.1/4"X11.5	34	62.5	58.5	48	55
SW1QN9-45-24	M45X2	Z1.1/2"X11.5	34	62.5	63	48	55

注：如需带衬套及螺母整套订货，则在代号后加“RN”，如SW1QN9-22-08RN，衬套代号NB500-Q，螺母代号NB200-Q。

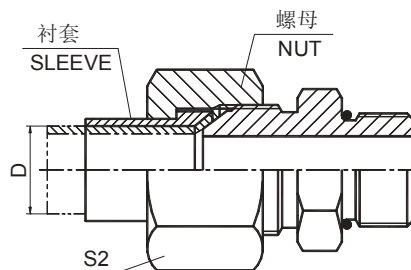
Note: In case if you are interested to order the adapter in complete set with sleeve and nut, it is necessary to insert suffix "RN" after our part no., for example SW1QN9-22-08RN, The sleeve NO. is NB500-Q and the nut NO. is NB200-Q.

Q-90 端

F	D1	收尾螺纹长	退刀螺纹长	A 图纸长	S2	S2*1.155/2	计算长	
M10X1	5	14.00	12		11.00	6.35	22.35	2.00
M12X1.5	6	17.50	15.7	25.5	11.00	6.35	25.85	2.00
M14X1.5	8	20.00	17	30.2	14.00	8.09	30.59	2.50
M16X1.5	10	21.00	18	32	16.00	9.24	32.74	2.50
M18X1.5	12	21.00	18	34	19.00	10.97	34.47	2.50
M22X1.5	14	23.00	19.5	37.5	22.00	12.71	38.71	3.00
M24X1.5	16	23.00	20		24.00	13.86	39.86	3.00
M27X1.5	18	23.50	20	41.5	27.00	15.59	42.09	3.00
M30X1.5	20	26.00	23	45.8	30.00	17.33	46.33	3.00
M30X2	20	29.00	26		30.00	17.33	49.33	3.00
M33X2	22	29.00	26		33.00	19.06	51.56	3.50
M36X2	25	29.00	26	51.5	36.00	20.79	53.29	3.50
M39X2	28	30.00	26	55.5	41.00	23.68	57.68	4.00
M42X2	32	32.00	28.5		41.00	23.68	59.68	4.00
M45X2	34	32.50	28.5	62.5	48.00	27.72	64.22	4.00



SW1QO



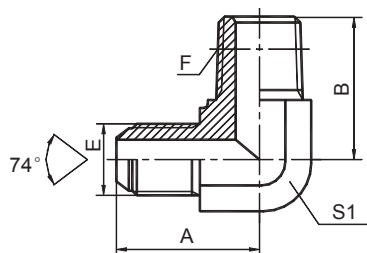
SW1QO-RN

公制外螺纹 74° 外锥 / SAE 外
 螺纹带 O 形圈轻系列 ISO 11926-3
 METRIC MALE 74° CONE / SAE
 O-RING BOSS L-SERIES ISO 11926-3

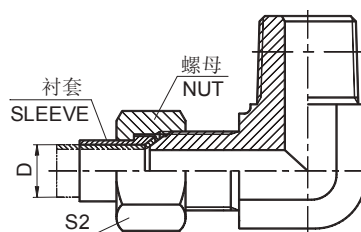
代号 PART NO.	螺 纹 THREAD		管子外径 D TUBE O.D.	O 形圈 O-RING F 端	尺 寸 DIMENSIONS				
	E	F			A	B	L	S1	S2
SW1QO-16-06	M16X1.5	9/16"X18	10	O906	18	9.9	35	17	19
SW1QO-18-08	M18X1.5	3/4"X16	12	O908	18	11.1	37	22	22
SW1QO-22-10	M22X1.5	7/8"X14	14	O910	19.5	12.7	42	27	27
SW1QO-27-12	M27X1.5	1.1/16"X12	18	O912	20	15.1	46	32	32
SW1QO-30-12	M30X1.5	1.1/16"X12	20	O912	23	15.1	49	32	36
SW1QO-33-16	M33X2	1.5/16"X12	22	O916	26	15.1	54	38	38
SW1QO-39-16	M39X2	1.5/16"X12	28	O916	26	15.1	58	41	46
SW1QO-42-20	M42X2	1.5/8"X12	32	O920	28.5	15.1	58	50	50

注：如需带衬套及螺母整套订货，则请在代号后加“RN”，如SW1QO-22-10RN，衬套代号NB500-Q，螺母代号NB200-Q。

Note: In case if you are interested to order the adapter in complete set with sleeve and nut, it is necessary to insert suffix "RN" after our part no., for example SW1QO-22-10RN, The sleeve NO. is NB500-Q and the nut NO. is NB200-Q.



SW1QT9-SP



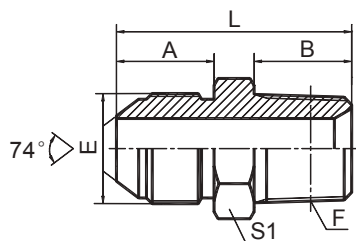
SW1QT9-SP/RN

90° 弯公制外螺纹 74° 外锥 / 英锥管外螺纹
 90° ELBOW METRIC MALE 74° CONE / BSPT MALE

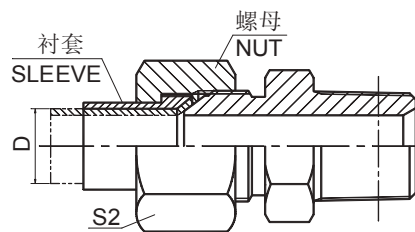
代号	螺 纹 THREAD		管子外径 TUBE O.D.	尺 寸 DIMENSIONS				
PART NO.	E	F	D	A	B	S1	S2	
SW1QT9-14-04SP	M14X1.5	R1/4"X19	8	30.2	25.5	14	17	
SW1QT9-16-04SP	M16X1.5	R1/4"X19	10	32	26.5	16	19	
SW1QT9-18-06SP	M18X1.5	R3/8"X19	12	34	29	19	22	
SW1QT9-18-08SP	M18X1.5	R1/2"X14	12	36	36	22	22	
SW1QT9-22-08SP	M22X1.5	R1/2"X14	14	37.5	36	22	27	
SW1QT9-27-08SP	M27X1.5	R1/2"X14	18	41.5	39.5	27	32	
SW1QT9-27-12SP	M27X1.5	R3/4"X14	18	41.5	44	27	32	
SW1QT9-30-12SP	M30X1.5	R3/4"X14	20	45.8	45.5	30	36	
SW1QT9-33-12SP	M33X2	R3/4"X14	22	49.5	47.5	33	38	
SW1QT9-36-16SP	M36X2	R1"X11	25	51.5	52	36	41	
SW1QT9-39-16SP	M39X2	R1"X11	28	55.5	55.2	41	46	
SW1QT9-45-20SP	M45X2	R1.1/4"X11	34	62.5	61	48	55	

注：如需带衬套及螺母整套订货，则请在代号后加“RN”，如SW1QT9-22-08SP/RN，衬套代号NB500-Q，螺母代号NB200-Q。

Note: In case if you are interested to order the adapter in complete set with sleeve and nut, it is necessary to insert suffix "RN" after our part no., for example SW1QT9-22-08SP/RN, The sleeve NO. is NB500-Q and the nut NO. is NB200-Q.



SW1QT-SP



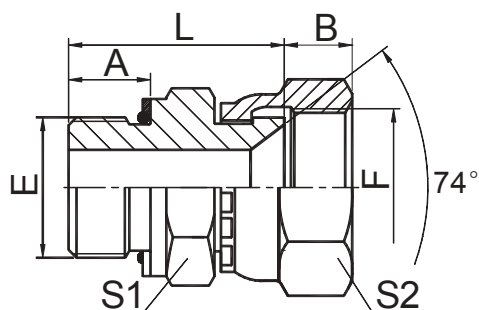
SW1QT-SP/RN

公制外螺纹 74° 外锥 / 英锥管外螺纹
METRIC MALE 74° CONE / BSPT MALE

代号 PART NO.	螺 纹 THREAD		管子外径 TUBE O.D.		尺 寸 DIMENSIONS				
	E	F	D		A	B	L	S1	S2
SW1QT-10-02SP	M10X1	R1/8"X28	5		12	10	28	12	14
SW1QT-14-04SP	M14X1.5	R1/4"X19	8		17	14.5	37.5	17	17
SW1QT-14-06SP	M14X1.5	R3/8"X19	8		17	15	38	17	17
SW1QT-16-04SP	M16X1.5	R1/4"X19	10		18	14.5	38.5	17	19
SW1QT-16-06SP	M16X1.5	R3/8"X19	10		18	15	39	17	19
SW1QT-18-04SP	M18X1.5	R1/4"X19	12		18	14.5	38.5	19	22
SW1QT-18-06SP	M18X1.5	R3/8"X19	12		18	15	39	19	22
SW1QT-22-08SP	M22X1.5	R1/2"X14	14		19.5	20	47.5	24	27
SW1QT-27-08SP	M27X1.5	R1/2"X14	18		20	20	50	30	32
SW1QT-27-12SP	M27X1.5	R3/4"X14	18		20	20	50	30	32
SW1QT-30-12SP	M30X1.5	R3/4"X14	20		23	20	54	32	36
SW1QT-33-12SP	M33X2	R3/4"X14	22		26	20	57	36	38
SW1QT-36-16SP	M36X2	R1"X11	25		26	25.5	61.5	38	41
SW1QT-39-16SP	M39X2	R1"X11	28		26	25.5	64.5	41	46
SW1QT-45-20SP	M45X2	R1.1/4"X11	34		28.5	26.5	68	46	55

注：如需带衬套及螺母整套订货，则请在代号后加“RN”，如SW1QT-22-08SP/RN，衬套代号NB500-Q，螺母代号NB200-Q。

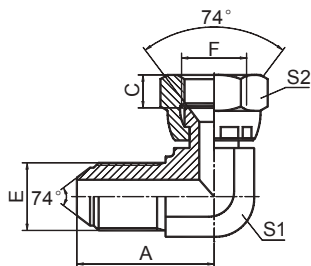
Note: In case if you are interested to order the adapter in complete set with sleeve and nut , it is necessary to insert suffix "RN" after our part no.,for example SW1QT-22-08SP/RN, The sleeve NO. is NB500-Q and the nut NO. is NB200-Q.



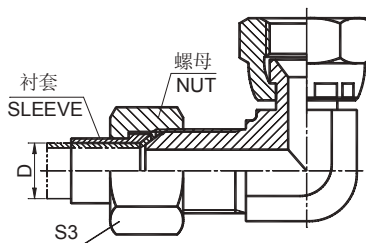
SW2GQ

英管外螺纹O形圈/ 公制内螺纹74° 内锥
BSP MALE O-RING/METRIC FEMALE 74° SEAT

代号 PART NO.	螺纹 THREAD		O形圈 O-RING		尺寸 DIMENSIONS				
	E	F	E端		A	B	L	S1	S2
SW2GQ-04-14	G1/4"X19	M14X1.5	O111		10	8.5	28.5	19	19
SW2GQ-06-14	G3/8"X19	M14X1.5	O113		11.5	8.5	28.5	22	19
SW2GQ-06-16	G3/8"X19	M16X1.5	O113		11.5	8	29.5	22	22
SW2GQ-06-18	G3/8"X19	M18X1.5	O113		11.5	8	30.5	22	24
SW2GQ-06-22	G3/8"X19	M22X1.5	O113		11.5	10	31	22	27
SW2GQ-06-27	G3/8"X19	M27X1.5	O113		11.5	10	36.5	27	32
SW2GQ-06-30	G3/8"X19	M30X1.5	O113		11.5	11	36.5	30	36
SW2GQ-06-36	G3/8"X19	M36X2	O113		11.5	13	37.5	34	41
SW2GQ-06-39	G3/8"X19	M39X2	O113		11.5	13	39	38	46
SW2GQ-06-45	G3/8"X19	M45X2	O113		11.5	15	41.5	46	55
SW2GQ-06-52	G3/8"X19	M52X2	O113		11.5	17	43.5	50	60
SW2GQ-06-60	G3/8"X19	M60X2	O113		11.5	20	46	60	70
SW2GQ-08-27	G1/2"X14	M27X1.5	O115		14	10	39.5	27	32
SW2GQ-12-30	G3/4"X14	M30X1.5	O119		15.5	11	41	32	36
SW2GQ-16-39	G1"X11	M39X2	O217		18	13	47	41	46
SW2GQ-20-52	G1.1/4"X11	M52X2	O222		20	17	54.5	50	60



SW2Q9



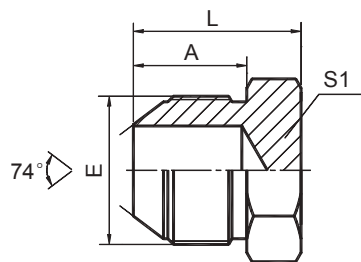
SW2Q9-RN

公制外螺纹 74° 外锥 / 公制内螺纹 74° 内锥
 METRIC MALE 74° CONE / METRIC FEMALE 74° SEAT

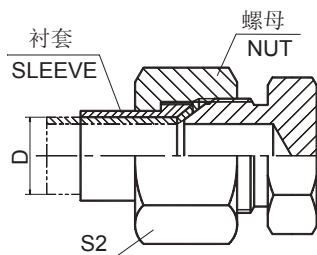
代号 PART NO.	螺 纹 THREAD		管子外径 TUBE O.D. D	尺 寸 DIMENSIONS					
	E	F		A	C	S1	S2	S3	
SW2Q9-14	M14X1.5	M14X1.5	8	30.2	8.5	14	19	17	
SW2Q9-16	M16X1.5	M16X1.5	10	32.5	8	16	22	19	
SW2Q9-18	M18X1.5	M18X1.5	12	34	8	19	24	22	
SW2Q9-22	M22X1.5	M22X1.5	14	37.5	10	22	27	27	
SW2Q9-27	M27X1.5	M27X1.5	18	41.5	10	27	32	32	
SW2Q9-30	M30X1.5	M30X1.5	20	45.8	11	30	36	36	
SW2Q9-33	M33X2	M33X2	22	49.5	13	33	41	38	
SW2Q9-36	M36X2	M36X2	25	51.5	13	36	41	41	
SW2Q9-39	M39X2	M39X2	28	55.5	13	41	46	46	
SW2Q9-45	M45X2	M45X2	34	62.5	15	48	55	55	

注：如需带衬套及螺母整套订货，则请在代号后加“RN”，如SW2Q9-18RN，衬套代号NB500-Q，螺母代号NB200-Q。

Note: In case if you are interested to order the adapter in complete set with sleeve and nut, it is necessary to insert suffix "RN" after our part no., for example SW2Q9-18RN, The sleeve NO. is NB500-Q and the nut NO. is NB200-Q.



SW4Q



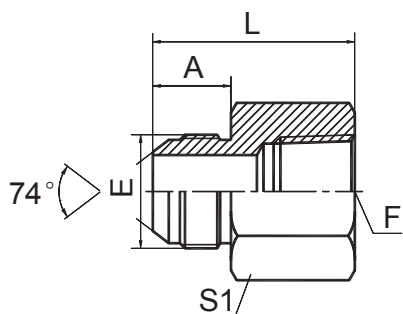
SW4Q-RN

公制外螺纹 74° 外锥堵头
METRIC MALE 74° CONE PLUG

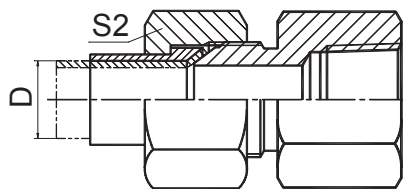
代号 PART NO.	螺 纹 THREAD		管子外径 TUBE O.D.		尺 寸 DIMENSIONS				
	E		D		A	L	S1	S2	
SW4Q-10	M10X1		5		12	18	12	14	
SW4Q-12	M12X1.5		6		15.7	21.5	14	14	
SW4Q-14	M14X1.5		8		17	23	17	17	
SW4Q-16	M16X1.5		10		18	24	17	19	
SW4Q-18	M18X1.5		12		18	24	19	22	
SW4Q-22	M22X1.5		14		19.5	27.5	24	27	
SW4Q-24	M24X1.5		16		20	30	27	30	
SW4Q-27	M27X1.5		18		20	30	30	32	
SW4Q-30	M30X1.5		20		23	34	32	36	
SW4Q-30E	M30X2		20		26	37	32	36	
SW4Q-33	M33X2		22		26	37	36	38	
SW4Q-36	M36X2		25		26	38	38	41	
SW4Q-39	M39X2		28		26	39	41	46	
SW4Q-42	M42X2		32		28.5	41.5	46	50	
SW4Q-45	M45X2		34		28.5	41.5	46	55	

注：如需带衬套及螺母整套订货，则请在代号后加“RN”，如SW4Q-18RN，衬套代号NB500-Q，螺母代号NB200-Q。

Note: In case if you are interested to order the adapter in complete set with sleeve and nut, it is necessary to insert suffix "RN" after our part no., for example SW4Q-18RN, The sleeve NO. is NB500-Q and the nut NO. is NB200-Q.



SW5QN



SW5QN-RN

公制外螺纹 74° / 美制布锥管螺纹

METRIC MALE 74° / NPT FEMALE

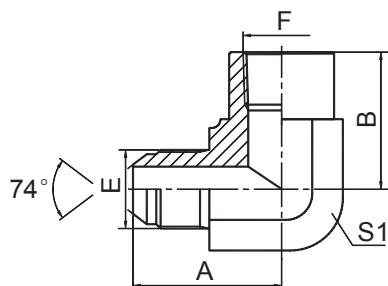
代号 PART NO.	螺纹 THREAD		管子外径 TUBE O.D.		尺寸 DIMENSIONS				
	E	F	D		A	L	S1	S2	
SW5QN-12-02	M12X1.5	Z1/8"X27	6		15.7	31.9	14	14	
SW5QN-14-04	M14X1.5	Z1/4"X18	8		17	38.3	19	17	
SW5QN-16-06	M16X1.5	Z3/8"X18	10		18	41	22	19	
SW5QN-18-06	M18X1.5	Z3/8"X18	12		18	40.9	22	22	
SW5QN-22-08	M22X1.5	Z1/2"X14	14		19.5	48.4	30	27	
SW5QN-27-12	M27X1.5	Z3/4"X14	18		20	50.4	36	32	
SW5QN-36-16	M36X2	Z1"X11.5	25		25	61.6	41	41	
SW5QN-42-20	M42X2	Z1.1/4"X11.5	32		28.5	67.4	50	50	

注：如需带衬套及螺母整套订货，则请在代号后加“RN”，如SW5QN-18-06RN。

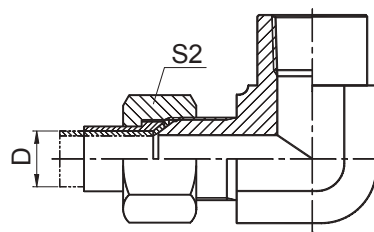
Note: In case if you are interested to order the adapter in complete set with sleeve and nut , it is necessary to inset suffix "RN" in after of part no., for example SW5QN-18-06RN.

注：如需带衬套及螺母整套订货，则请在代号后加“RN”，如SW5QN-22-08RN，衬套代号NB500-Q，螺母代号NB200-Q。

Note: In case if you are interested to order the adapter in complete set with sleeve and nut , it is necessary to insert suffix "RN" after our part no.,for example SW5QN-22-08RN, The sleeve NO. is NB500-Q and the nut NO. is NB200-Q.



SW5QN9



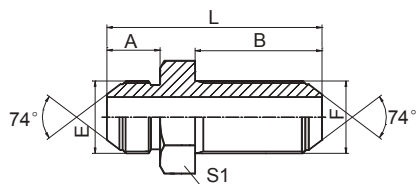
SW5QN9-RN

90° 公制外螺纹74° 外锥/ 布锥管内螺纹
 90° METRIC MALE 74° CONE/NPT
 FEMALE

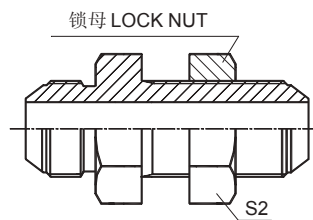
代号 PART NO.	螺 纹 THREAD		管子外径 TUBE O.D.		尺 寸 DIMENSIONS				
	E	F	D		A	B	S1	S2	
SW5QN9-14-04	M14X1.5	Z1/4"X18	8		35.5	25	19	17	
SW5QN9-16-06	M16X1.5	Z3/8"X18	10		39.5	27	24	19	
SW5QN9-18-06	M18X1.5	Z3/8"X18	12		39.5	27	24	22	
SW5QN9-22-08	M22X1.5	Z1/2"X14	14		44.5	31.5	30	27	
SW5QN9-27-12	M27X.5	Z3/4"X14	18		45.5	34.5	33	32	
SW5QN9-36-16	M36X2	Z1"X11.5	25		56	41.1	41	41	
SW5QN9-39-16	M39X2	Z1"X11.5	28		55.5	41.1	41	46	
SW5QN9-42-20	M42X2	Z1.1/4"X11.5	32		66.5	43.2	50	50	

注：如需带衬套及螺母整套订货，则请在代号后加“RN”，如SW5QN9-22-08RN，衬套代号NB500-Q，螺母代号NB200-Q。

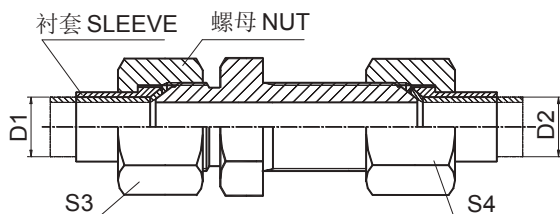
Note: In case if you are interested to order the adapter in complete set with sleeve and nut , it is necessary to insert suffix "RN" after our part no.,for example SW5QN9-22-08RN, The sleeve NO. is NB500-Q and the nut NO. is NB200-Q.



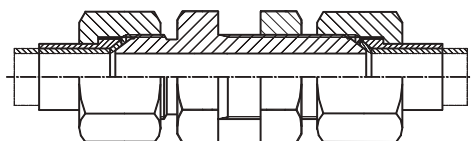
SW6Q



SW6Q-LN



SW6Q-RN



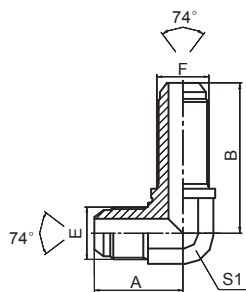
SW6Q-LN/RN

公制外螺纹 74° 外锥过板接头
METRIC MALE 74° CONE BULKHEAD

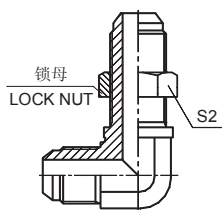
代号 PART NO.	螺 纹 THREAD		管子外径 TUBE O.D. D1, D2	尺 寸 DIMENSIONS						
	E	F		A	B	L	S1	S2	S3, S4	
SW6Q-10	M10X1	M10X1	5	12.5	34	52.5	14	14	14	
SW6Q-12	M12X1.5	M12X1.5	6	15.7	38	59.7	17	17	14	
SW6Q-14	M14X1.5	M14X1.5	8	17	40	64	17	19	17	
SW6Q-16	M16X1.5	M16X1.5	10	18	41	65	19	22	19	
SW6Q-18	M18X1.5	M18X1.5	12	18	43	69	24	24	22	
SW6Q-22	M22X1.5	M22X1.5	14	19.5	44	73.5	27	27	27	
SW6Q-24	M24X1.5	M24X1.5	16	20	45	75	27	30	30	
SW6Q-27	M27X1.5	M27X1.5	18	20	48	78	30	32	32	
SW6Q-30	M30X1.5	M30X1.5	20	23	53	87	34	36	36	
SW6Q-33	M33X2	M33X2	22	26	55	92	36	41	38	
SW6Q-36	M36X2	M36X2	25	25	56	94	41	41	41	
SW6Q-39	M39X2	M39X2	28	26	58	97	41	46	46	
SW6Q-42	M42X2	M42X2	32	28.5	59	102.5	50	50	50	
SW6Q-45	M45X2	M45X2	34	28.5	60	103.5	50	50	55	

注：如需带锁母订货，则请在代号后加“LN”，如SW6Q-18LN；如需带衬套及螺母整套订货，则请在代号后加“RN”，如SW6Q-18RN；如需带锁母、衬套及螺母订货，在代号后加“LN/RN”，如SW6Q-18LN/RN；衬套代号NB500-Q，螺母代号NB200-Q，锁母代号8C。

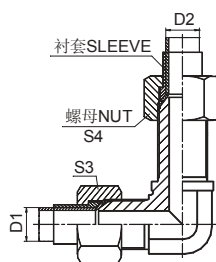
Note: In case if you are interested to order the adapter with lock nut, please insert suffix "LN" after our part no., for example SW6Q-18LN; order the adapter with sleeve and nut, please insert suffix "RN" after our part no., for example SW6Q-18RN; order the adapter with lock nut and sleeve and nut, insert suffix "LN/RN" after part no., for example SW6Q-18LN/RN; The sleeve NO. is NB500-Q and the nut NO. is NB200-Q and the lock nut no. is 8C.



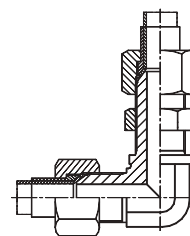
SW6Q9



SW6Q9-LN



SW6Q9-RN



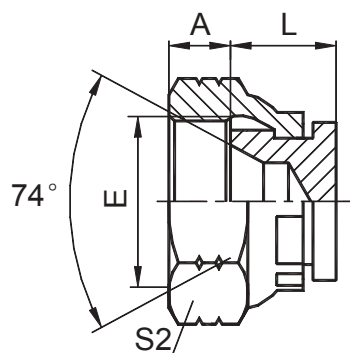
SW6Q9-LN/RN

90° 弯公制外螺纹 74° 外锥过板接头
90° ELBOW METRIC MALE 74° CONE BULKHEAD

代号 PART NO.	螺纹 THREAD		管子外径 TUBE O.D. D1, D2	尺寸 DIMENSIONS					
	E	F		A	B	S1	S2	S3, S4	
SW6Q9-12	M12X1.5	M12X1.5	6	25.5	52	11	17	14	
SW6Q9-14	M14X1.5	M14X1.5	8	30.2	56	14	19	17	
SW6Q9-16	M16X1.5	M16X1.5	10	32	58	16	22	19	
SW6Q9-18	M18X1.5	M18X1.5	12	34	62	19	24	22	
SW6Q9-22	M22X1.5	M22X1.5	14	37.5	64	22	27	27	
SW6Q9-27	M27X1.5	M27X1.5	18	41.5	72	27	32	32	
SW6Q9-30	M30X1.5	M30X1.5	20	45.8	78	30	36	36	
SW6Q9-33	M33X2	M33X2	22	51.5	82	33	41	38	
SW6Q9-36	M36X2	M36X2	25	51.5	86	36	41	41	
SW6Q9-39	M39X2	M39X2	28	55.5	88	41	46	46	
SW6Q9-42	M42X2	M42X2	32	57	95	41	50	50	
SW6Q9-45	M45X2	M45X2	34	62.5	96	48	55	55	

注：如需带锁母订货，则请在代号后加“LN”，如SW6Q-18LN；如需带衬套及螺母整套订货，则请在代号后加“RN”，如SW6Q-18RN；如需带锁母、衬套及螺母订货，在代号后加“LN/RN”，如SW6Q-18LN/RN；衬套代号NB500-Q，螺母代号NB200-Q，锁母代号8C。

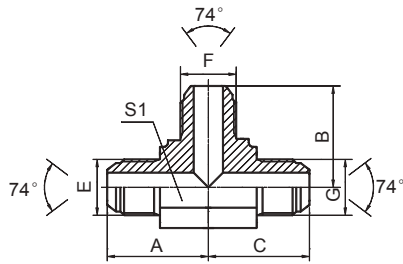
Note: In case if you are interested to order the adapter with lock nut, please insert suffix "LN" after our part no., for example SW6Q-18LN; order the adapter with sleeve and nut, please insert suffix "RN" after our part no., for example SW6Q-18RN; order the adapter with lock nut and sleeve and nut, insert suffix "LN/RN" after part no., for example SW6Q-18LN/RN; The sleeve NO. is NB500-Q and the nut NO. is NB200-Q and the lock nut no. is 8C.



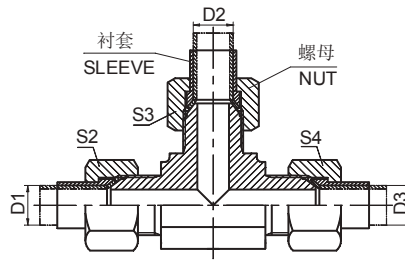
SW9Q

公制内螺纹74°外锥
METRIC FEMALE 74° SEAT PLUG

代号 PART NO.	螺纹 THREAD				尺寸 DIMENSIONS				
	E				A	L	S2		
SW9Q-14	M14X1.5				8.5	11	19		
SW9Q-16	M16X1.5				8	12	22		
SW9Q-18	M18X1.5				8	13	24		
SW9Q-22	M22X1.5				10	14	27		
SW9Q-27	M24X1.5				10	17	32		
SW9Q-30	M30X1.5				11	17	36		
SW9Q-36	M36X2				13	20	41		
SW9Q-39	M39X2				13	21	46		
SW9Q-45	M45X2				15	23	50		
SW9Q-52	M52X2				17	27	60		
SW9Q-60	M60X2				20	30	70		



SWAQ



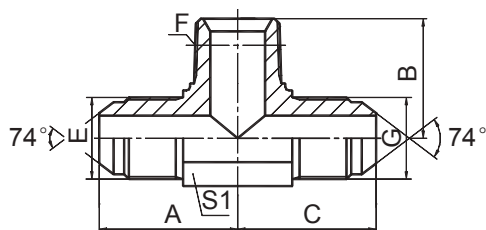
SWAQ-RN

公制外螺纹 74° 外锥 三通
METRIC MALE 74° CONE TEE

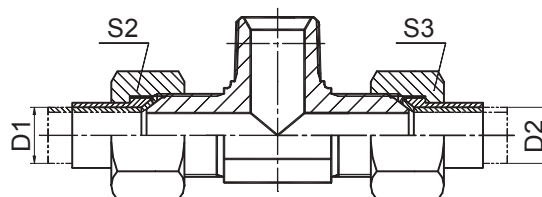
代号	螺 纹 THREAD			管子外径 TUBE O.D.	尺 寸 DIMENSIONS					
PART NO.	E	F	G	D1,D2,D3	A	B	C	S1	S2,S3,S4	
SWAQ-14	M14X1.5	M14X1.5	M14X1.5	8	27	27	27	14	17	
SWAQ-16	M16X1.5	M16X1.5	M16X1.5	10	29.5	29.5	29.5	16	19	
SWAQ-18	M18X1.5	M18X1.5	M18X1.5	12	34	34	34	19	22	
SWAQ-22	M22X1.5	M22X1.5	M22X1.5	14	37.5	37.5	37.5	22	27	
SWAQ-27	M27X1.5	M27X1.5	M27X1.5	18	41.5	41.5	41.5	27	32	
SWAQ-30	M30X1.5	M30X1.5	M30X1.5	20	42.8	42.8	42.8	30	36	
SWAQ-33	M33X2	M33X2	M33X2	22	49.5	49.5	49.5	33	38	

注：如需带衬套及螺母整套订货，则请在代号后加“RN”，如SWAQ-18RN，衬套代号NB500-Q，螺母代号NB200-Q。

Note: In case if you are interested to order the adapter in complete set with sleeve and nut, it is necessary to insert suffix "RN" after our part no., for example SWAQ-18RN, The sleeve NO. is NB500-Q and the nut NO. is NB200-Q.



SWAQNQ



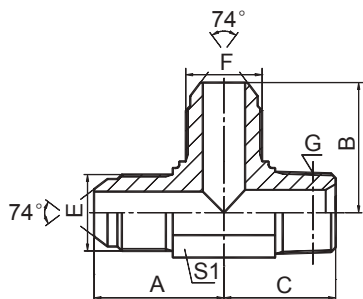
SWAQNQ-RN

公制外螺纹/ 美制布锥管螺纹/ 公制外螺纹
 METRIC MALE/NPT MALE/METRIC MALE

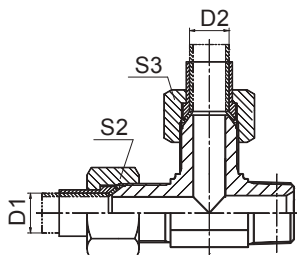
代号 PART NO.	螺纹 THREAD			管子外径 TUBE O.D. D1, D2	尺寸 DIMENSIONS					
	E	F	G		A	B	C	S1	S2, S3	
SWAQNQ-14-04-14	M14X1.5	Z1/4"X18	M14X1.5	8	28	25.5	28	14	17	
SWAQNQ-16-06-16	M16X1.5	Z3/8"X18	M16X1.5	10	34	31	34	19	19	
SWAQNQ-18-06-18	M18X1.5	Z3/8"X18	M18X1.5	12	34	31	34	19	22	
SWAQNQ-22-08-22	M22X1.5	Z1/2"X14	M22X1.5	14	37.7	36.7	37.7	22	27	
SWAQNQ-27-12-27	M27X1.5	Z3/4"X14	M27X1.5	18	42	44	42	27	32	
SWAQNQ-36-16-36	M36X2	Z1"X11.5	M36X2	25	48	48	48	36	41	
SWAQNQ-42-20-42	M42X2	Z1.1/4"X11.5	M42X2	32	57	60	57	41	50	

注：如需带衬套及螺母整套订货，则请在代号后加“RN”，如SWAQNQ-22-08-22RN，衬套代号NB500-Q，螺母代号NB200-Q。

Note: In case if you are interested to order the adapter in complete set with sleeve and nut, it is necessary to insert suffix "RN" after our part no., for example SWAQNQ-22-08-22RN, The sleeve NO. is NB500-Q and the nut NO. is NB200-Q.



SWAQQN



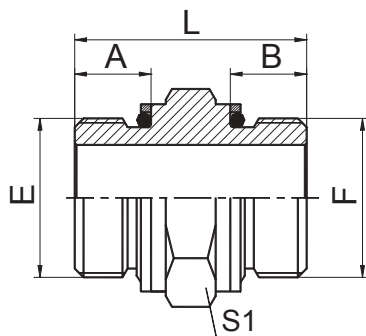
SWAQQN-RN

公制外螺纹 / 公制外
 螺纹 / 美制布锥管螺纹
 METRIC MALE/METRIC
 MALE/NPT MALE

代号 PART NO.	螺 纹 THREAD			管子外径 TUBE O.D.		尺 寸 DIMENSIONS				
	E	F	G	D1, D2		A	B	C	S1	S2, S3
SWAQQN-14-14-04	M14X1.5	M14X1.5	Z1/4"X18	8		28	28	25.5	14	17
SWAQQN-16-16-06	M16X1.5	M16X1.5	Z3/8"X18	10		34	34	31	19	19
SWAQQN-18-18-06	M18X1.5	M18X1.5	Z3/8"X18	12		34	34	31	19	22
SWAQQN-22-22-08	M22X1.5	M22X1.5	Z1/2"X14	14		37.7	37.7	36.7	22	27
SWAQQN-27-27-12	M27X1.5	M27X1.5	Z3/4"X14	18		42	42	44	27	32
SWAQQN-36-36-16	M36X2	M36X2	Z1"X11.5	25		48	48	48	36	41
SWAQQN-42-42-20	M42X2	M42X2	Z1.1/4"X11.5	32		57	57	60	41	50

注：如需带衬套及螺母整套订货，则请在代号后加“RN”，如SWAQQN-22-22-08RN，衬套代号NB500-Q，螺母代号NB200-Q。

Note: In case if you are interested to order the adapter in complete set with sleeve and nut , it is necessary to insert suffix "RN" after our part no.,for example SWAQQN-22-22-08RN, The sleeve NO. is NB500-Q and the nut NO. is NB200-Q.



SW1H

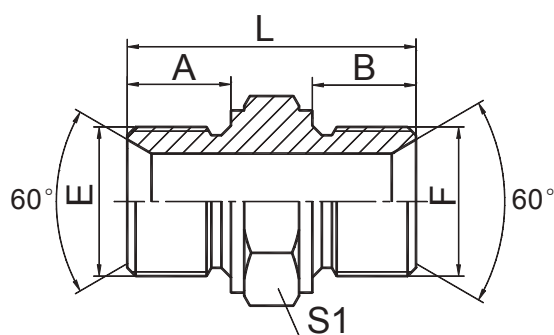
公制外螺纹轻系列ISO 6149-3
METRIC MALE L-SERIES ISO 6149-3

代号 PART NO.	螺 纹 THREAD		O 形圈 O-RING		尺 寸 DIMENSIONS				
	E	F	E 端	F 端	A	B	L	S1	
SW1H-10	M10X1	M10X1	O08.1X1.6	O08.1X1.6	8.5	8.5	28	14	
SW1H-12	M12X1.5	M12X1.5	O09.3X2.4	O09.3X2.4	11.0	11.0	33	17	
SW1H-14	M14X1.5	M14X1.5	O11.3X2.4	O11.3X2.4	11.0	11.0	33	19	
SW1H-16	M16X1.5	M16X1.5	O13.3X2.4	O13.3X2.4	11.5	11.5	34	22	
SW1H-18	M18X1.5	M18X1.5	O15.3X2.4	O15.3X2.4	12.5	12.5	36	24	
SW1H-22	M22X1.5	M22X1.5	O19.3X2.4	O19.3X2.4	13.0	13.0	39	27	
SW1H-27	M27X2	M27X2	O23.5X3.0	O23.5X3.0	16.0	16.0	45	32	
SW1H-33	M33X2	M33X2	O29.5X3.0	O29.5X3.0	16.0	16.0	48	41	
SW1H-42	M42X2	M42X2	O38.5X3.0	O38.5X3.0	16.0	16.0	50	50	
SW1H-48	M48X2	M48X2	O44.5X3.0	O44.5X3.0	17.5	17.5	53	55	

注：可与 ISO 9974-1 油口相配，去掉挡圈与 ISO 6149-1 油口相配。

Note: fit for ISO 9974-1 port or ISO 6149-1 port when useless of retaining ring.

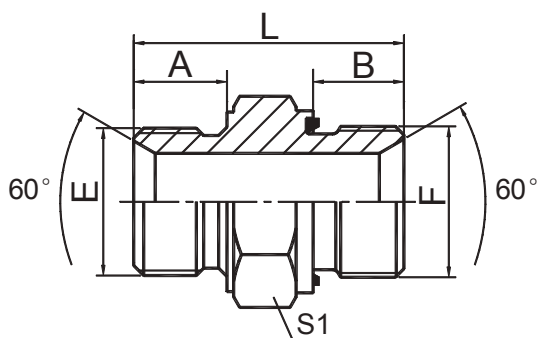
	样页	常规六角宽	图纸	样页六角宽	标准六角
2.5	28.00	6	28	6	28.00
2.5	33.00	6		6	33.00
2.5	33.00	6	28	6	33.00
2.5	34.00	8	31	6.00	36.00
2.5	36.00	8	33	6.00	38.00
2.5	39.00	10	36	8.00	41.00
2.5	45.00	11	43	8.00	48.00
3	48.00	13.00	45.00	10.00	51.00
3	50.00	15.00	47.00	12.00	53.00
3	53.00	15.00	52.00	12.00	56.00



SW1M

公制外螺纹60° 内锥或六角端面用组合垫密封
 METRIC MALE DOUBLE USE FOR 60° CONE
 SEAT OR BONDED SEAL

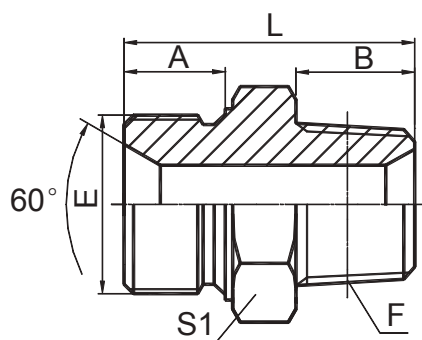
代号 PART NO.	螺 纹 THREAD		尺 寸 DIMENSIONS					
	E	F			A	B	L	S1
SW1M-10	M10X1	M10X1			8	8	24	14
SW1M-10-12	M10X1	M12X1.5			8	10	26	17
SW1M-12	M12X1.5	M12X1.5			10	10	28	17
SW1M-12-14	M12X1.5	M14X1.5			10	11	29	19
SW1M-14	M14X1.5	M14X1.5			11	11	30	19
SW1M-14-16	M14X1.5	M16X1.5			11	12	31	22
SW1M-16	M16X1.5	M16X1.5			12	12	32	22
SW1M-16-18	M16X1.5	M18X1.5			12	12	34	24
SW1M-18	M18X1.5	M18X1.5			12	12	34	24
SW1M-18-22	M18X1.5	M22X1.5			12	14	38	27
SW1M-20-22	M20X1.5	M22X1.5			14	14	38	27
SW1M-22	M22X1.5	M22X1.5			14	14	38	27
SW1M-22-26	M22X1.5	M26X1.5			14	16	43	32
SW1M-22-27	M22X1.5	M27X2			14	16	43	32
SW1M-22-27D	M22X1.5	M27X1.5			14	16	43	32
SW1M-26	M26X1.5	M26X1.5			16	16	45	32
SW1M-26-30	M26X1.5	M30X2			16	18	47	36
SW1M-26-30D	M26X1.5	M30X1.5			16	18	47	36
SW1M-27	M27X2	M27X2			16	16	45	32
SW1M-27D	M27X1.5	M27X1.5			16	16	45	32
SW1M-30	M30X2	M30X2			18	18	49	36
SW1M-30D	M30X1.5	M30X1.5			18	18	49	36



SW1MB-WD

公制外螺纹60° 内锥/ 英管外螺纹胶垫密封
 METRIC MALE 60° SEAT/BSP
 MALE CAPTIVE SEAL

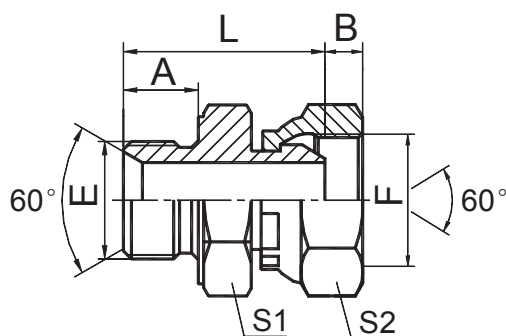
代号 PART NO.	螺纹 THREAD		胶垫 CAPTIVE		尺寸 DIMENSIONS				
	E	F		F 端	A	B	L	S1	
SW1MB-12-04-WD	M12X1.5	G1/4"X19		WD-B04	10	12	32	19	
SW1MB-14-04-WD	M14X1.5	G1/4"X19		WD-B04	11	12	33	19	
SW1MB-16-04-WD	M16X1.5	G1/4"X19		WD-B04	12	12	35	22	
SW1MB-14-06-WD	M14X1.5	G3/8"X19		WD-B06	11	12	34.5	22	
SW1MB-16-06-WD	M16X1.5	G3/8"X19		WD-B06	12	12	35.5	22	
SW1MB-18-06-WD	M18X1.5	G3/8"X19		WD-B06	12	12	35.5	24	
SW1MB-22-06-WD	M22X1.5	G3/8"X19		WD-B06	14	12	39.5	27	
SW1MB-16-08-WD	M16X1.5	G1/2"X14		WD-B08	12	14	40	27	
SW1MB-18-08-WD	M18X1.5	G1/2"X14		WD-B08	12	14	40	27	
SW1MB-20-08-WD	M20X1.5	G1/2"X14		WD-B08	14	14	42	27	
SW1MB-22-08-WD	M22X1.5	G1/2"X14		WD-B08	14	14	42	27	
SW1MB-26-08-WD	M26X1.5	G1/2"X14		WD-B08	16	14	45	32	
SW1MB-22-12-WD	M22X1.5	G3/4"X14		WD-B12	14	16	45	32	
SW1MB-24-12-WD	M24X1.5	G3/4"X14		WD-B12	14	16	45	32	
SW1MB-26-12-WD	M26X1.5	G3/4"X14		WD-B12	16	16	47	32	
SW1MB-30-12-WD	M30X1.5	G3/4"X14		WD-B12	18	16	49	36	
SW1MB-30-16-WD	M30X1.5	G1"X11		WD-B16	18	18	53	41	
SW1MB-33-16-WD	M33X1.5	G1"X11		WD-B16	19	18	54	41	



SW1MT-SP

公制外螺纹60° 内锥/ 英锥管外螺纹
METRIC MALE 60° SEAT/BSPT MALE

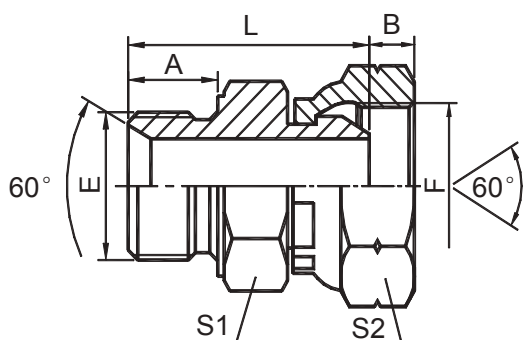
代号 PART NO.	螺纹 THREAD		尺寸 DIMENSIONS					
	E	F	A	B	L	S1		
SW1MT-10-02SP	M10X1	R1/8"X28	8	10	25	14		
SW1MT-12-02SP	M12X1.5	R1/8"X28	10	10	27	17		
SW1MT-14-04SP	M14X1.5	R1/4"X19	11	14.5	32.5	19		
SW1MT-16-06SP	M16X1.5	R3/8"X19	11	15	35	22		
SW1MT-18-06SP	M18X1.5	R3/8"X19	12	15	36	24		
SW1MT-22-08SP	M22X1.5	R1/2"X14	14	20	45	27		
SW1MT-24-08SP	M24X1.5	R1/2"X14	14	20	45	30		
SW1MT-26-08SP	M26X1.5	R1/2"X14	16	20	48	32		
SW1MT-27-08SP	M27X2	R1/2"X14	16	20	48	32		
SW1MT-27D-08SP	M27X1.5	R1/2"X14	16	20	48	32		
SW1MT-30-12SP	M30X2	R3/4"X14	18	20	50	36		
SW1MT-30D-12SP	M30X1.5	R3/4"X14	18	20	50	36		
SW1MT-38-16SP	M38X2	R1"X11	20	25.5	59.5	46		
SW1MT-38D-16SP	M38X1.5	R1"X11	20	25.5	59.5	46		
SW1MT-45-20SP	M45X2	R1.1/4"X11	20	26.5	62.5	55		
SW1MT-45D-20SP	M45X1.5	R1.1/4"X11	20	26.5	62.5	55		
SW1MT-52-24SP	M52X2	R1.1/2"X11	20	26.5	62.5	60		
SW1MT-52D-24SP	M52X1.5	R1.1/2"X11	20	26.5	62.5	60		



SW2M

公制外螺纹60° 内锥/ 公制内螺纹60° 外锥
 METRIC MALE 60° SEAT/METRIC FEMALE
 60° CONE

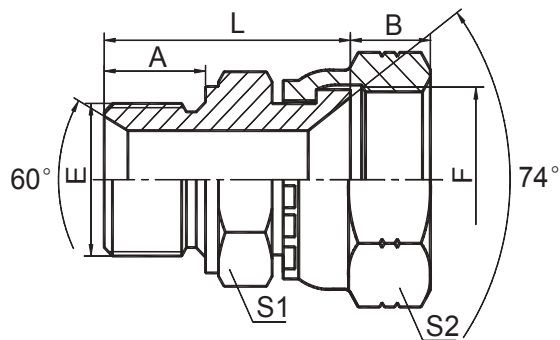
代号 PART NO.	螺纹 THREAD		尺寸 DIMENSIONS				
	E	F	A	B	L	S1	S2
SW2M-12	M12X1.5	M12X1.5	10	5	28	17	17
SW2M-14	M14X1.5	M14X1.5	11	5.5	29.5	19	19
SW2M-16	M16X1.5	M16X1.5	12	5.5	32	22	22
SW2M-16-18	M16X1.5	M18X1.5	12	5.5	33	22	24
SW2M-18	M18X1.5	M18X1.5	12	5.5	33	24	24
SW2M-18-16	M18X1.5	M16X1.5	12	5.5	32	24	22
SW2M-18-20	M18X1.5	M20X1.5	12	6.5	34.5	24	27
SW2M-18-22	M18X1.5	M22X1.5	12	6	35	24	27
SW2M-20	M20X1.5	M20X1.5	14	6.5	38.5	27	27
SW2M-20-18	M20X1.5	M18X1.5	14	5.5	37	27	24
SW2M-20-22	M20X1.5	M22X1.5	14	6	39	27	27
SW2M-22	M22X1.5	M22X1.5	14	6	39	27	27
SW2M-22-18	M22X1.5	M18X1.5	14	5.5	37	27	24
SW2M-22-20	M22X1.5	M20X1.5	14	6.5	38.5	27	27
SW2M-27	M27X2	M27X2	16	6	42.5	32	32
SW2M-27D	M27X1.5	M27X1.5	16	6	42.5	32	32
SW2M-30	M30X2	M30X2	18	6	46.5	36	36
SW2M-30D	M30X1.5	M30X1.5	18	6	46.5	36	36



SW2MB

公制外螺纹60° 内锥/ 英管内螺纹60° 外锥
 METRIC MALE 60° SEAT/BSP
 FEMALE 60° CONE

代号 PART NO.	螺纹 THREAD		尺寸 DIMENSIONS						
	E	F	A	B	L	S1	S2		
SW2MB-12-04	M12X1.5	G1/4"X19	10	5.5	28	17	19		
SW2MB-14-04	M14X1.5	G1/4"X19	11	5.5	29	19	19		
SW2MB-14-06	M14X1.5	G3/8"X19	11	6.3	30.2	19	22		
SW2MB-14-08	M14X1.5	G1/2"X14	11	7.5	32	19	27		
SW2MB-16-04	M16X1.5	G1/4"X19	12	5.5	32	22	19		
SW2MB-16-06	M16X1.5	G3/8"X19	12	6.3	33.2	22	22		
SW2MB-16-08	M16X1.5	G1/2"X14	12	7.5	35	22	27		
SW2MB-16-12	M16X1.5	G3/4"X14	12	10.9	38.1	27	32		
SW2MB-18-06	M18X1.5	G3/8"X19	12	6.3	33.2	24	22		
SW2MB-18-08	M18X1.5	G1/2"X14	12	7.5	35	24	27		
SW2MB-20-06	M20X1.5	G3/8"X19	14	6.3	37.2	27	22		
SW2MB-20-08	M20X1.5	G1/2"X14	14	7.5	39	27	27		
SW2MB-20-12	M20X1.5	G3/4"X14	14	10.9	40.1	27	32		
SW2MB-22-06	M22X1.5	G3/8"X19	14	6.3	37.2	27	22		
SW2MB-22-08	M22X1.5	G1/2"X14	14	7.5	39	27	27		
SW2MB-22-12	M22X1.5	G3/4"X14	14	10.9	40.1	27	32		
SW2MB-26-06	M26X1.5	G3/8"X19	16	6.3	40.2	32	22		
SW2MB-26-08	M26X1.5	G1/2"X14	16	7.5	42	32	27		
SW2MB-26-12	M26X1.5	G3/4"X14	16	10.9	43.1	32	32		
SW2MB-30-06	M30X2	G3/8"X19	18	6.3	42.2	36	22		
SW2MB-30D-06	M30X1.5	G3/8"X19	18	6.3	42.2	36	22		
SW2MB-30-08	M30X2	G1/2"X14	18	7.5	44	36	27		
SW2MB-30D-08	M30X1.5	G1/2"X14	18	7.5	44	36	27		

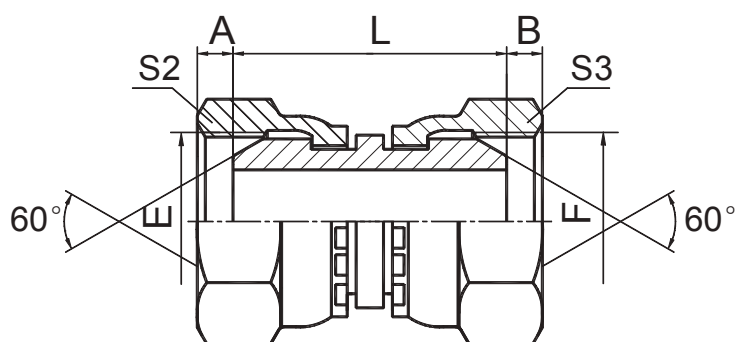


SW2MJ

公制外螺纹60°内锥/英管内螺纹74°外锥

METRIC MALE 60°SEAT/BSP
FEMALE 74° CONE

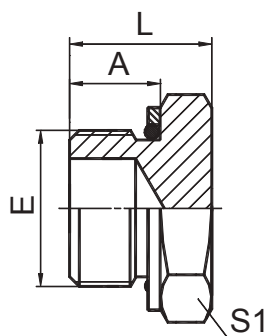
代号 PART NO.	螺纹 THREAD		尺寸 DIMENSIONS					
	E	F	A	B	L	S1	S2	
SW2MJ-10-04	M10X1	7/16"X20	8	9	22	14	17	
SW2MJ-12-05	M12X1.5	1/2"X20	10	9.5	24.5	17	17	
SW2MJ-14-06	M14X1.5	9/16"X18	11	10.5	25.5	19	19	
SW2MJ-16-08	M16X1.5	3/4"X16	12	10.5	30.5	22	24	
SW2MJ-18-08	M18X1.5	3/4"X16	12	10.5	30.5	24	24	
SW2MJ-18-10	M18X1.5	7/8"X14	12	12	31	24	27	
SW2MJ-22-10	M22X1.5	7/8"X14	14	12	35	27	27	
SW2MJ-27-12	M27X2	1.1/16"X12	16	15	39.5	32	32	
SW2MJ-27D-12	M27X1.5	1.1/16"X12	16	15	39.5	32	32	
SW2MJ-30-16	M30X2	1.5/16"X12	18	16	41.5	36	41	
SW2MJ-30D-16	M30X1.5	1.5/16"X12	18	16	41.5	36	41	
SW2MJ-45-20	M45X2	1.5/8"X12	20	17	49	55	50	
SW2MJ-45D-20	M45X1.5	1.5/8"X12	20	17	49	55	50	
SW2MJ-52-24	M52X2	1.7/8"X12	20	20	49.5	60	55	
SW2MJ-52D-24	M52X1.5	1.7/8"X12	20	20	49.5	60	55	



SW3M

公制内螺纹60° 外锥
METRIC FEMALE 60 CONE

代号 PART NO.	螺纹 THREAD		尺寸 DIMENSIONS						
	E	F			A	B	L	S2	S3
SW3M-12	M12X1.5	M12X1.5			5	5	25	17	17
SW3M-14	M14X1.5	M14X1.5			5.5	5.5	26	19	19
SW3M-16	M16X1.5	M16X1.5			5.5	5.5	27.5	22	22
SW3M-18	M18X1.5	M18X1.5			5.5	5.5	29	24	24
SW3M-18-20	M18X1.5	M20X1.5			5.5	6.5	30.5	24	27
SW3M-18-22	M18X1.5	M22X1.5			5.5	6	32	24	27
SW3M-20	M20X1.5	M20X1.5			6.5	6.5	33	27	27
SW3M-20-22	M20X1.5	M22X1.5			6.5	6	33.5	27	27
SW3M-22	M22X1.5	M22X1.5			6	6	34	27	27



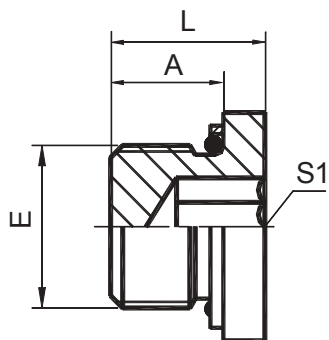
SW4H

公制外螺纹轻系列堵头ISO 6149-3
METRIC MALE L-SERIES PLUG ISO 6149-3

代号 PART NO.	螺 纹 THREAD		O 形圈 O-RING		尺 寸 DIMENSIONS				
	E		E 端		A	L	S1		
SW4H-12	M12X1.5		O09.3X2.4		11	19.5	17		
SW4H-14	M14X1.5		O11.3X2.4		11	19.5	19		
SW4H-16	M16X1.5		O13.3X2.4		12.5	23	22		
SW4H-18	M18X1.5		O15.3X2.4		14	24.5	24		
SW4H-22	M22X1.5		O19.3X2.4		15	27.5	27		
SW4H-27	M27X2		O23.5X3.0		18.5	32	32		
SW4H-33	M33X2		O29.5X3.0		18.5	34.5	41		
SW4H-42	M42X2		O38.5X3.0		19	37	50		

注：可与 ISO 9974-1 油口相配，去掉挡圈与 ISO 6149-1 油口相配。

Note: fit for ISO 9974-1 port or ISO 6149-1 port when useless of retaining ring.



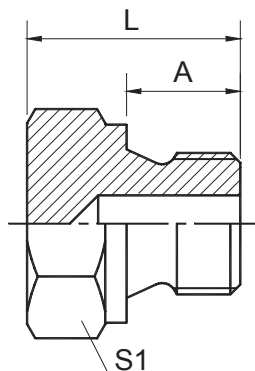
SW4HN

公制外螺纹轻系列堵头ISO 6149-3
METRIC MALE L-SERIES HOLLOW HEX
PLUG ISO 6149-3

代号 PART NO.	螺纹 THREAD		O形圈 O-RING		尺寸 DIMENSIONS			
	E		E 端		A	L	S1	
SW4HN-10	M10X1		O08.1X1.6		8.5	11.5	5	
SW4HN-12	M12X1.5		O09.3X2.4		11	14	6	
SW4HN-14	M14X1.5		O11.3X2.4		11	14	6	
SW4HN-16	M16X1.5		O13.3X2.4		11.5	14	8	
SW4HN-18	M18X1.5		O15.3X2.4		12.5	15.5	8	
SW4HN-22	M22X1.5		O19.3X2.4		13	16	10	
SW4HN-27	M27X2		O23.5X3.0		16	19	12	
SW4HN-33	M33X2		O29.5X3.0		16	20	17	
SW4HN-42	M42X2		O38.5X3.0		16	22	22	
SW4HN-48	M48X2		O44.5X3.0		17.5	21.5	24	

注：可与 ISO 9974-1 油口相配，去掉挡圈与 ISO 6149-1 油口相配。

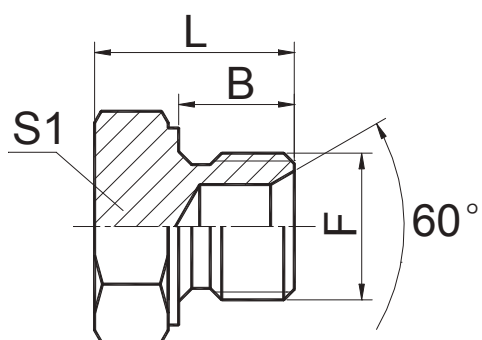
Note: fit for ISO 9974-1 port or ISO 6149-1 port when useless of retaining ring.



SW4L

METRIC MALE BONDED SEAL PLUG

代号 PART NO.	螺纹 THREAD			尺寸 DIMENSIONS					
	E			A	L	S1			
SW4L-10	M10X1			8	15	14			
SW4L-12	M12X1.5			12	19.5	17			
SW4L-18	M18X1.5			12	21.5	24			
SW4L-22	M22X1.5			14	25.5	27			
SW4L-33	M33X2			18	33	41			
SW4L-42	M42X2			20	37	50			
SW4L-48	M48X2			20	37	60			

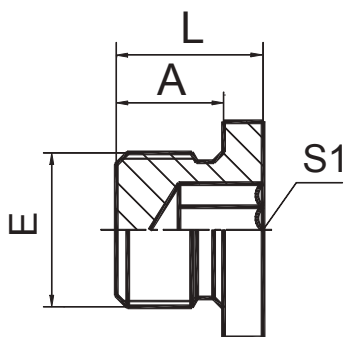


SW4M

60

METRIC MALE DOUBLE USE FOR 60
CONE SEAT OR BONDED SEAL PLUG

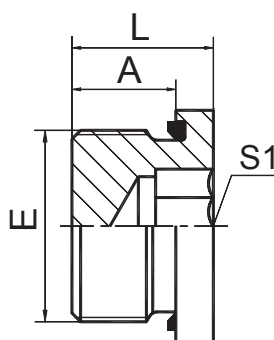
代号 PART NO.	螺纹 THREAD		尺寸 DIMENSIONS						
		F			B	L	S1		
SW4M-10		M10X1			8	15	14		
SW4M-12		M12X1.5			10	17	17		
SW4M-14		M14X1.5			11	19	19		
SW4M-16		M16X1.5			12	20	22		
SW4M-18		M18X1.5			12	20	24		
SW4M-20		M20X1.5			14	23	27		
SW4M-22		M22X1.5			14	23	27		
SW4M-24		M24X1.5			14	25	30		
SW4M-26		M26X1.5			16	28	32		
SW4M-27D		M27X1.5			16	28	32		
SW4M-30		M30X2			18	30	36		
SW4M-30D		M30X1.5			18	30	36		



SW4MN

公制外螺纹内六角堵头
METRIC MALE HOLLOW HEX PLUG

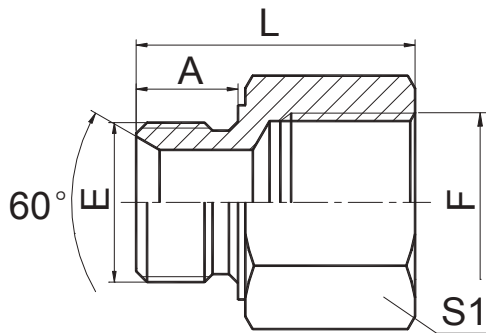
代号 PART NO.	螺纹 THREAD				尺寸 DIMENSIONS				
	E				A	L	S1		
SW4MN-12	M12X1.5				10	14	6		
SW4MN-14	M14X1.5				11	15	6		
SW4MN-16	M16X1.5				12	16	8		
SW4MN-18	M18X1.5				12	16	8		
SW4MN-20	M20X1.5				14	18	10		
SW4MN-22	M22X1.5				14	18	10		
SW4MN-24	M24X1.5				14	18	12		
SW4MN-26	M26X1.5				16	21	12		
SW4MN-30	M30X2				18	23	17		
SW4MN-30D	M30X1.5				18	23	17		



SW4MN-WD

公制外螺纹胶垫密封内六角堵头
METRIC MALE CAPTIVE SEAL HOLLOW HEX PLUG

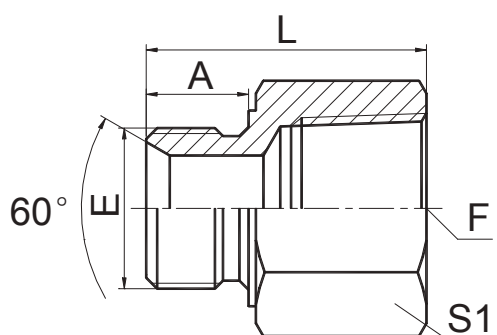
代号 PART NO.	螺 纹 THREAD		胶 垫 CAPTIVE		尺 寸 DIMENSIONS			
	E		E 端		A	L	S1	
SW4MN-10WD	M10X1		WD-B02		8	12	5	
SW4MN-12WD	M12X1.5		WD-M12		12	17	6	
SW4MN-14WD	M14X1.5		WD-B04		12	17	6	
SW4MN-16WD	M16X1.5		WD-M16		12	17	8	
SW4MN-18WD	M18X1.5		WD-M18		12	17	8	
SW4MN-20WD	M20X1.5		WD-M20		14	19	10	
SW4MN-22WD	M22X1.5		WD-M22		14	19	10	
SW4MN-26WD	M26X1.5		WD-B12		16	21	12	
SW4MN-27WD	M27X2		WD-B12		16	21	12	
SW4MN-33WD	M33X2		WD-B16		18	24.5	17	
SW4MN-42WD	M42X2		WD-B20		20	26.5	22	
SW4MN-48WD	M48X2		WD-B24		22	28.5	24	



SW5MB

公制外螺纹60° 内锥/ 英管内螺纹
METRIC MALE 60° CONE SEAT/BSP FEMALE

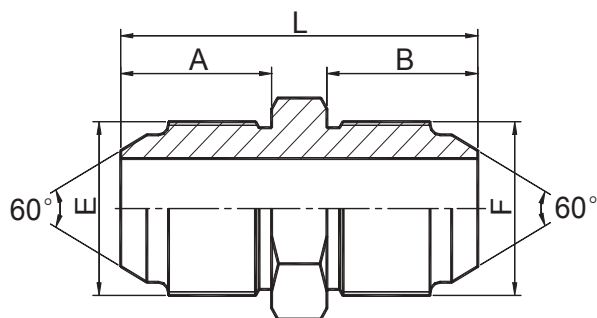
代号 PART NO.	螺纹 THREAD		尺寸 DIMENSIONS						
	E	F			A	L	S1		
SW5MB-16-02	M16X1.5	G1/8"X28			12	30	22		
SW5MB-16-04	M16X1.5	G1/4"X19			12	33	22		
SW5MB-22-04	M22X1.5	G1/4"X19			14	35	27		
SW5MB-22-06	M22X1.5	G3/8"X19			14	38.5	27		
SW5MB-26-08	M26X1.5	G1/2"X14			16	43	32		
SW5MB-27-08	M27X2	G1/2"X14			16	43	32		
SW5MB-27-12	M27X2	G3/4"X14			16	44	32		
SW5MB-30-12	M30X2	G3/4"X14			18	46	36		
SW5MB-33-16	M33X2	G1"X11			18	49	41		



SW5MN

公制外螺纹60° 内锥/ 布锥管内螺纹
METRIC MALE 60° CONE SEAT/NPT FEMALE

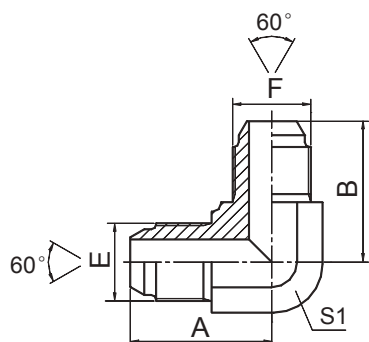
代号 PART NO.	螺纹 THREAD		尺寸 DIMENSIONS						
	E	F			A	L	S1		
SW5MN-16-02	M16X1.5	Z1/8"X27			12	28.5	22		
SW5MN-16-04	M16X1.5	Z1/4"X18			12	36.5	22		
SW5MN-20-06	M20X1.5	Z3/8"X18			14	38	27		
SW5MN-22-08	M22X1.5	Z1/2"X14			14	44	27		
SW5MN-26-08	M26X1.5	Z1/2"X14			16	46	32		
SW5MN-26-12	M26X1.5	Z3/4"X14			16	47	32		



SW1K

日本公制外螺纹60° 外锥
JIS METRIC MALE 60° CONE

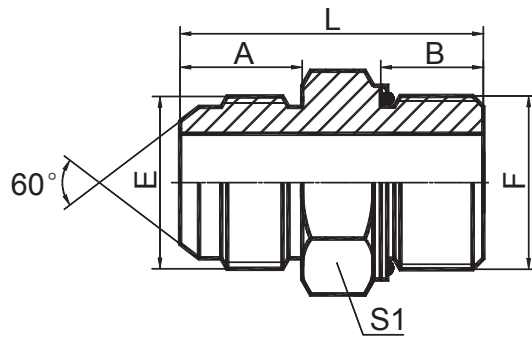
代号 PART NO.	螺纹 THREAD		尺寸 DIMENSIONS					
	E	F			A	B	L	S1
SW1K-14	M14X1.5	M14X1.5			17	17	40	17
SW1K-16	M16X1.5	M16X1.5			18	18	42	17
SW1K-18	M18X1.5	M18X1.5			18	18	42	19
SW1K-20	M20X1.5	M20X1.5			20	20	48	22
SW1K-22	M22X1.5	M22X1.5			20	20	48	24
SW1K-24	M24X1.5	M24X1.5			21.5	21.5	53	27
SW1K-30	M30X1.5	M30X1.5			26	26	63	32
SW1K-33	M33X1.5	M33X1.5			30	30	71	36
SW1K-36	M36X1.5	M36X1.5			33	33	79	41
SW1K-42	M42X1.5	M42X1.5			36	36	85	46



SW1K9

90° 日本公制外螺纹60° 外锥
90° JIS METRIC MALE 60° CONE

代号 PART NO.	螺纹 THREAD		尺寸 DIMENSIONS						
	E	F			A	B	S1		
SW1K9-14	M14X1.5	M14X1.5			29	29	14		
SW1K9-16	M16X1.5	M16X1.5			30.5	30.5	16		
SW1K9-18	M18X1.5	M18X1.5			33.8	33.8	19		
SW1K9-22	M22X1.5	M22X1.5			38	38	22		
SW1K9-24	M24X1.5	M24X1.5			41.2	41.2	24		
SW1K9-30	M30X1.5	M30X1.5			45.7	45.7	30		
SW1K9-33	M33X1.5	M33X1.5			52	52	33		



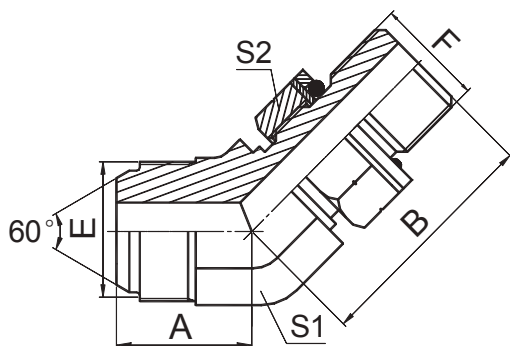
60/O

SW1KG

JIS METRIC MALE 60
CONE / BSP MALE O-RING

代号 PART NO.	螺纹 THREAD		O 形圈 O-RING		尺寸 DIMENSIONS				
	E	F		F 端	A	B	L	S1	
SW1KG-14-04	M14X1.5	G1/4"X19		O111	17	11	36	19	
SW1KG-14-06	M14X1.5	G3/8"X19		O113	17	11.5	36.5	22	
SW1KG-16-06	M16X1.5	G3/8"X19		O113	18	11.5	38	22	
SW1KG-18-06	M18X1.5	G3/8"X19		O113	18	11.5	38	22	
SW1KG-22-08	M22X1.5	G1/2"X14		O115	20	14	47	27	
SW1KG-30-12	M30X1.5	G3/4"X14		O119	26	15.5	52.5	32	
SW1KG-33-12	M33X1.5	G3/4"X14		O119	30	15.5	59.5	36	
SW1KG-33-16	M33X1.5	G1"X11		O217	30	18	62	41	

注：F 端与 DIN 3852 油口相配。 Note: F end is connected with DIN 3852 port.

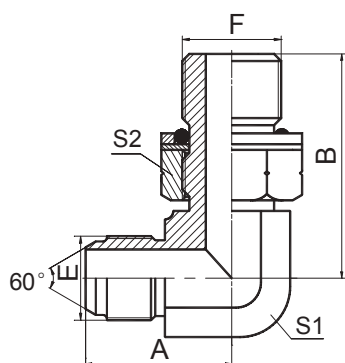


SW1KG4-OG

JIS METRIC MALE 60
CONE / BSP MALE O-RING

代号 PART NO.	螺纹 THREAD		O 形圈 O-RING		尺寸 DIMENSIONS				
	E	F		F 端	A	B	S1	S2	
SW1KG4-14-04OG	M14X1.5	G1/4"X19		O111	25	27	14	19	
SW1KG4-16-06OG	M16X1.5	G3/8"X19		O113	26	30.5	16	22	
SW1KG4-18-06OG	M18X1.5	G3/8"X19		O113	28	31	19	22	
SW1KG4-22-08OG	M22X1.5	G1/2"X14		O115	31	36.2	22	27	
SW1KG4-24-08OG	M24X1.5	G1/2"X14		O115	33.5	36.2	24	27	
SW1KG4-24-12OG	M24X1.5	G3/4"X14		O119	34.5	42	27	32	
SW1KG4-30-12OG	M30X1.5	G3/4"X14		O119	39	44	30	32	
SW1KG4-33-16OG	M33X1.5	G1"X11		O217	43.5	44	33	41	

注：F 端与 DIN 3852 油口相配。 Note: F end is connected with DIN 3852 port.



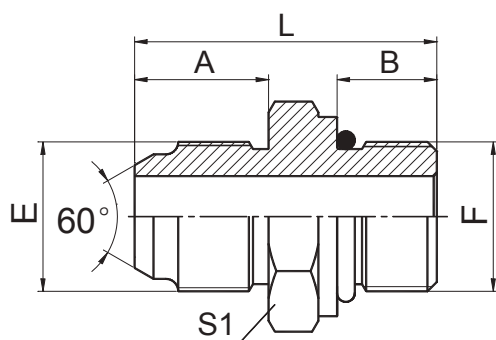
SW1KG9-OG

90° 弯 日本公制外螺纹 / 英管外螺纹 O 形圈

90° ELBOW JIS METRIC
MALE / BSP MALE O-RING

代号 PART NO.	螺纹 THREAD		O 形圈 O-RING		尺寸 DIMENSIONS				
	E	F		F 端	A	B	S1	S2	
SW1KG9-14-04OG	M14X1.5	G1/4"X19		O111	26.5	31.3	14	19	
SW1KG9-14-06OG	M14X1.5	G3/8"X19		O113	28.5	35.8	16	22	
SW1KG9-16-06OG	M16X1.5	G3/8"X19		O113	28	35.8	16	22	
SW1KG9-18-06OG	M18X1.5	G3/8"X19		O113	30.8	37	19	22	
SW1KG9-22-08OG	M22X1.5	G1/2"X14		O115	35.5	43.2	22	27	
SW1KG9-24-08OG	M24X1.5	G1/2"X14		O115	37	46	24	27	
SW1KG9-24-12OG	M24X1.5	G3/4"X14		O119	40	49.3	27	32	
SW1KG9-30-12OG	M30X1.5	G3/4"X14		O119	47.5	53	30	32	
SW1KG9-33-16OG	M33X1.5	G1"X11		O217	50	53	33	41	
SW1KG9-42-20OG	M42X1.5	G1.1/4"X11		O222	63	59	41	50	

注：F 端与 DIN 3852 油口相配。 Note: F end is connected with DIN 3852 port.

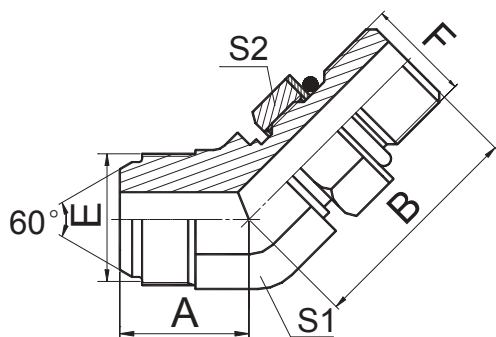


SW1KH

日本公制外螺纹60° 外锥 / 公制外
 螺纹可调向柱端重系列ISO 6149-2
 JIS METRIC MALE 60° CONE / METIRC MALE
 ADJUSTABLE STUD END S-SERIES ISO6149-2

代号 PART NO.	螺纹 THREAD		O 形圈 O-RING		尺寸 DIMENSIONS				
	E	F		F端	A	B	L	S1	
SW1KH-14-12	M14X1.5	M12X1.5		O09.3X2.4	17	11.0	39	17	
SW1KH-14	M14X1.5	M14X1.5		O11.3X2.4	17	11.0	39	19	
SW1KH-16-14	M16X1.5	M14X1.5		O11.3X2.4	18	11.0	40	19	
SW1KH-18-14	M18X1.5	M14X1.5		O11.3X2.4	18	11.0	40	19	
SW1KH-18-16	M18X1.5	M16X1.5		O13.3X2.4	18	12.5	42	22	
SW1KH-18-20	M18X1.5	M20X1.5		O17.3X2.4	18	14.0	45	27	
SW1KH-20-18	M20X1.5	M18X1.5		O15.3X2.4	20	14.0	47	24	
SW1KH-22-20	M22X1.5	M20X1.5		O17.3X2.4	20	14.0	47	27	
SW1KH-24-20	M24X1.5	M20X1.5		O17.3X2.4	21.5	14.0	48.5	27	
SW1KH-24-22	M24X1.5	M22X1.5		O19.3X2.4	21.5	15.0	50	27	
SW1KH-30-27	M30X1.5	M27X2		O23.5X3.0	26	18.5	60.5	32	
SW1KH-33	M33X1.5	M33X2		O29.5X3.0	30	18.5	65	41	
SW1KH-36-33	M36X1.5	M33X2		O29.5X3.0	33	18.5	68	41	

注：F 端与 ISO 6149-1 油口相配。 Note: F end is fit for ISO 6149-1 port.



SW1KH4-OG

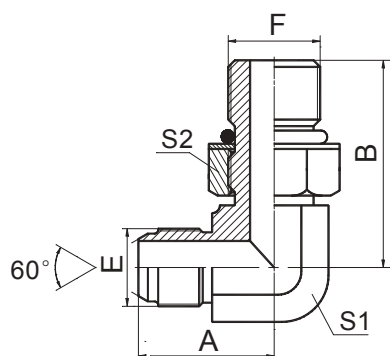
45° 日本公制外螺纹60° 外锥 / 公制
 外螺纹可调向柱端重系列ISO 6149-2
 45° JIS METRIC MALE 60° CONE / METRIC MALE
 ADJUSTABLE STUD END S-SERIES ISO6149-2

代号 PART NO.	螺纹 THREAD		O 形圈 O-RING		尺寸 DIMENSIONS				
	E	F		F 端	A	B	S1	S2	
SW1KH4-14-12OG	M14X1.5	M12X1.5		O09.3X2.4	25	30	14	17	
SW1KH4-14OG	M14X1.5	M14X1.5		O11.3X2.4	25	30	14	19	
SW1KH4-16-14OG	M16X1.5	M14X1.5		O11.3X2.4	26	30.5	16	19	
SW1KH4-18-14OG	M18X1.5	M14X1.5		O11.3X2.4	28	31.5	19	19	
SW1KH4-18-16OG	M18X1.5	M16X1.5		O13.3X2.4	28	33.5	19	22	
SW1KH4-18-20OG	M18X1.5	M20X1.5		O17.3X2.4	28	38.5	19	27	
SW1KH4-20-18OG	M20X1.5	M18X1.5		O15.3X2.4	30	37	19	24	
SW1KH4-22-20OG	M22X1.5	M20X1.5		O17.3X2.4	31	39.5	22	27	
SW1KH4-24-20OG	M24X1.5	M20X1.5		O17.3X2.4	33.5	39.5	24	27	
SW1KH4-24-22OG	M24X1.5	M22X1.5		O19.3X2.4	33.5	40	24	27	
SW1KH4-30-27OG	M30X1.5	M27X2		O23.5X3.0	39	48.5	30	32	
SW1KH4-33OG	M33X1.5	M33X2		O29.5X3.0	43.5	49	33	41	
SW1KH4-36-33OG	M36X1.5	M33X2		O29.5X3.0	49	50	36	41	

注：F 端与 ISO 6149-1 油口相配。Note: F end is fit for ISO 6149-1 port.

K 端				
	A	S1	螺纹长	S1*0.2392
M14X1.5	25	14	19.5	3.3
M16X1.5	26	16	20	3.8
M18X1.5	28	19	21	4.5
M20X1.5	30	19	22.5	4.5
M22X1.5	31	22	23	5.3
M24X1.5	33	22	25	5.3
M24X1.5	34	27	25	6.5
M30X1.5	39	30	29	7.2
M33X1.5	43.5	33	33	7.9
M36X1.5	49	36	36	8.6

H 端				
			螺纹长	
	B	S1	L1	0.2392S1
M10X1	25.5	11	20	2.6
M12X1.5	30	14	23.5	3.3
M14X1.5	30	14	23.5	3.3
M16X1.5	32.5	16	25.5	3.8
M18X1.5	37	19	28.5	4.5
M20X1.5	38.5	19	30	4.5
M22X1.5	39.5	22	30	5.3
M27X2	47.5	27	36.5	6.5
M33X2	49	33	36.5	7.9
M42X2	52	41	37.5	9.8
M48X2	57	48	41	11.5



SW1KH9-OG

90° 日本公制外螺纹60° 外锥 / 公制

外螺纹可调向柱端重系列ISO 6149-2

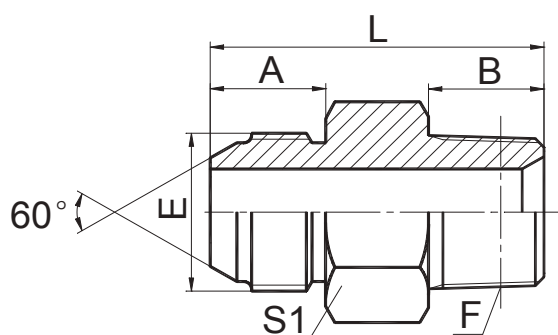
90° JIS METRIC MALE 60° CONE / METIRC MALE
ADJUSTABLE STUD END S-SERIES ISO6149-2

代号 PART NO.	螺纹 THREAD		O 形圈 O-RING		尺寸 DIMENSIONS				
	E	F		F 端	A	B	S1	S2	
SW1KH9-14-120G	M14X1.5	M12X1.5		O09.3X2.4	25.5	33.5	14	17	
SW1KH9-140G	M14X1.5	M14X1.5		O11.3X2.4	27.5	34.5	14	19	
SW1KH9-16-140G	M16X1.5	M14X1.5		O11.3X2.4	28.5	35.5	16	19	
SW1KH9-18-140G	M18X1.5	M14X1.5		O11.3X2.4	30.8	37.5	19	19	
SW1KH9-18-160G	M18X1.5	M16X1.5		O13.3X2.4	30.8	39.5	19	22	
SW1KH9-18-200G	M18X1.5	M20X1.5		O17.3X2.4	30.8	44	19	27	
SW1KH9-20-180G	M20X1.5	M18X1.5		O15.3X2.4	33	42.5	19	24	
SW1KH9-22-200G	M22X1.5	M20X1.5		O17.3X2.4	35	45.5	22	27	
SW1KH9-24-200G	M24X1.5	M20X1.5		O17.3X2.4	40	47	24	27	
SW1KH9-24-220G	M24X1.5	M22X1.5		O19.3X2.4	40	47	24	27	
SW1KH9-30-270G	M30X1.5	M27X2		O23.5X3.0	48	57	30	32	
SW1KH9-330G	M33X1.5	M33X2		O29.5X3.0	54.5	59	33	41	
SW1KH9-36-330G	M36X1.5	M33X2		O29.5X3.0	57	60.5	36	41	

注：F 端与 ISO 6149-1 油口相配。Note: F end is fit for ISO 6149-1 port.

H 端

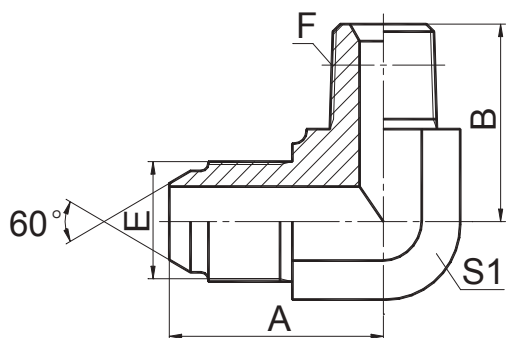
	B	S1	螺纹长 L1
M10X1	28.5	11	20
M12X1.5	33.5	14	23.5
M14X1.5	34.5	14	23.5
M16X1.5	38	16	25.5
M18X1.5	42.5	19	28.5
M20X1.5	44	19	30
M22X1.5	46	22	30
M27X2	55.5	27	36.5
M33X2	59	33	36.5
M42X2	64.5	41	37.5
M48X2	72.5	48	41



SW1KN

日本公制外螺纹60° 外锥/ 布锥管外螺纹
 JIS METRIC MALE 60° CONE/NPT
 MALE

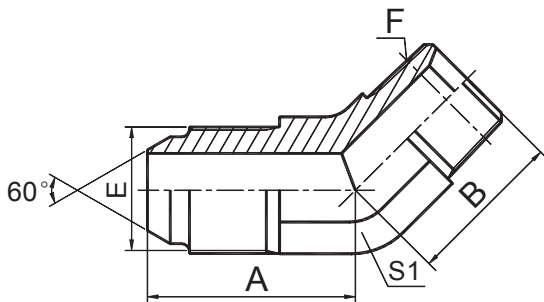
代号 PART NO.	螺纹 THREAD		尺寸 DIMENSIONS					
	E	F	A	B	L	S1		
SW1KN-14-04	M14X1.5	Z1/4"X18	17	15	38	17		
SW1KN-14-06	M14X1.5	Z3/8"X18	17	16	39	19		
SW1KN-16-06	M16X1.5	Z3/8"X18	18	16	40	19		
SW1KN-16-08	M16X1.5	Z1/2"X14	18	19.5	45.5	22		
SW1KN-18-06	M18X1.5	Z3/8"X18	18	16	40	19		
SW1KN-20-06	M20X1.5	Z3/8"X18	20	16	44	22		
SW1KN-20-08	M20X1.5	Z1/2"X14	20	19.5	47.5	22		
SW1KN-22-08	M22X1.5	Z1/2"X14	20	19.5	47.5	24		
SW1KN-24-08	M24X1.5	Z1/2"X14	21.5	19.5	51	27		
SW1KN-24-12	M24X1.5	Z3/4"X14	21.5	19.5	51	30		
SW1KN-30-12	M30X1.5	Z3/4"X14	26	19.5	56.5	32		
SW1KN-33-16	M33X1.5	Z1"X11.5	30	25.5	66.5	36		
SW1KN-36-20	M36X1.5	Z1.1/4"X11.5	33	26.5	72.5	46		
SW1KN-42-24	M42X1.5	Z1.1/2"X11.5	36	27.5	78.5	50		



SW1KN9

90° 日本公制外螺纹60° 外锥/ 美制布锥管外螺纹
 90° JIS METRIC MALE 60° CONE/NPT MALE

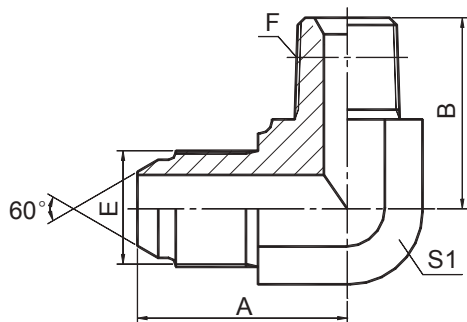
代号 PART NO.	螺纹 THREAD		尺寸 DIMENSIONS				
	E	F	A	B	S1		
SW1KN9-14-04	M14X1.5	Z1/4"X18	29	25.5	14		
SW1KN9-16-06	M16X1.5	Z3/8"X18	31.5	29.5	16		
SW1KN9-16-08	M16X1.5	Z1/2"X14	35.5	36.7	22		
SW1KN9-18-06	M18X1.5	Z3/8"X18	33.5	31	19		
SW1KN9-20-06	M20X1.5	Z3/8"X18	36	31	19		
SW1KN9-20-08	M20X1.5	Z1/2"X14	38	36.7	22		
SW1KN9-22-08	M22X1.5	Z1/2"X14	38	36.7	22		
SW1KN9-24-08	M24X1.5	Z1/2"X14	43.5	40	27		
SW1KN9-24-12	M24X1.5	Z3/4"X14	43	44	27		
SW1KN9-30-12	M30X1.5	Z3/4"X14	48	45	30		
SW1KN9-33-16	M33X1.5	Z1"X11.5	55	50	33		



SW1KT4-SP

45° 日本公制外螺纹60° 外锥/ 英锥管外螺纹
45° JIS METRIC MALE 60° CONE/BSPT
MALE

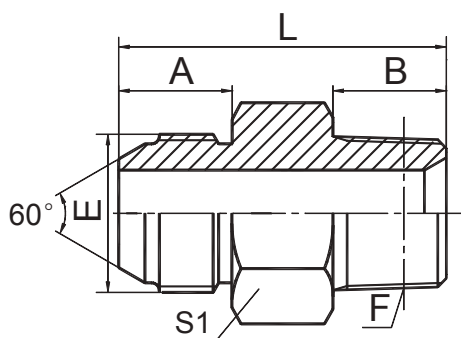
代号 PART NO.	螺纹 THREAD		尺寸 DIMENSIONS						
	E	F			A	B	S1		
SW1KT4-14-04SP	M14X1.5	R1/4"X19			25	21	14		
SW1KT4-14-06SP	M14X1.5	R3/8"X19			25.5	23	16		
SW1KT4-16-06SP	M16X1.5	R3/8"X19			26	23	16		
SW1KT4-18-06SP	M18X1.5	R3/8"X19			28	24	19		
SW1KT4-20-06SP	M20X1.5	R3/8"X19			30	24	19		
SW1KT4-22-06SP	M22X1.5	R3/8"X19			31	25	22		
SW1KT4-22-08SP	M22X1.5	R1/2"X14			31	30	22		
SW1KT4-24-08SP	M24X1.5	R1/2"X14			33	29.5	22		
SW1KT4-24-12SP	M24X1.5	R3/4"X14			34	30.5	27		
SW1KT4-30-12SP	M30X1.5	R3/4"X14			39	31.5	30		
SW1KT4-33-16SP	M33X1.5	R1"X11			43.5	38	33		



SW1KT9-SP

90° 日本公制外螺纹60° 外锥/ 英锥管外螺纹
 90° JIS METRIC MALE 60° CONE/BSPT
 MALE

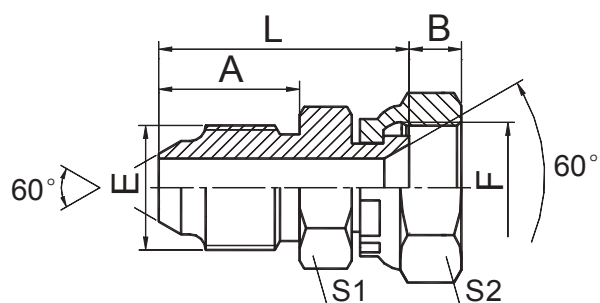
代号 PART NO.	螺纹 THREAD		尺寸 DIMENSIONS				
	E	F	A	B	S1		
SW1KT9-14-02SP	M14X1.5	R1/8"X28	28.5	22	14		
SW1KT9-14-04SP	M14X1.5	R1/4"X19	29	25.5	14		
SW1KT9-14-06SP	M14X1.5	R3/8"X19	31	28.5	16		
SW1KT9-16-06SP	M16X1.5	R3/8"X19	31.5	28.5	16		
SW1KT9-18-06SP	M18X1.5	R3/8"X19	33.8	29.5	19		
SW1KT9-20-06SP	M20X1.5	R3/8"X19	36	30.5	19		
SW1KT9-22-06SP	M22X1.5	R3/8"X19	38	32.5	22		
SW1KT9-22-08SP	M22X1.5	R1/2"X14	38	36	22		
SW1KT9-24-08SP	M24X1.5	R1/2"X14	43.5	39.5	27		
SW1KT9-24-12SP	M24X1.5	R3/4"X14	43	43.5	27		
SW1KT9-30-12SP	M30X1.5	R3/4"X14	48	45.3	30		
SW1KT9-33-16SP	M33X1.5	R1"X11	55	50	33		



SW1KT-SP

公制外螺纹60° 外锥 / 英锥管外螺纹
METRIC MALE 60° CONE / BSPT MALE

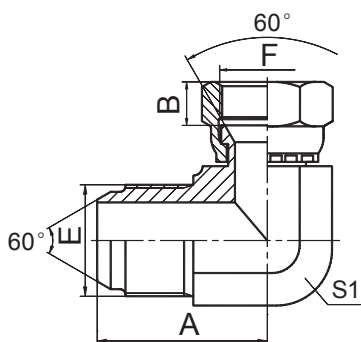
代号 PART NO.	螺纹 THREAD		尺寸 DIMENSIONS					
	E	F	A	B	L	S1		
SW1KT-14-04SP	M14X1.5	R1/4"X19	17	14.5	37.5	17		
SW1KT-14-06SP	M14X1.5	R3/8"X19	17	15	38	19		
SW1KT-16-06SP	M16X1.5	R3/8"X19	18	15	39	19		
SW1KT-18-06SP	M18X1.5	R3/8"X19	18	15	39	19		
SW1KT-20-06SP	M20X1.5	R3/8"X19	20	15	43	22		
SW1KT-22-06SP	M22X1.5	R3/8"X19	20	15	43	24		
SW1KT-22-08SP	M22X1.5	R1/2"X14	20	20	48	24		
SW1KT-24-08SP	M24X1.5	R1/2"X14	21.5	20	51.5	27		
SW1KT-24-12SP	M24X1.5	R3/4"X14	21.5	20	51.5	30		
SW1KT-30-12SP	M30X1.5	R3/4"X14	26	20	57	32		
SW1KT-33-16SP	M33X1.5	R1"X11	30	25.5	66.5	36		
SW1KT-36-20SP	M36X1.5	R1.1/4"X11	33	26.5	72.5	46		
SW1KT-42-24SP	M42X1.5	R1.1/2"X11	36	26.5	77.5	50		



SW2K

60° 公制外螺纹/60° 公制内螺纹
60° METRIC MALE/60° METRIC FEMALE

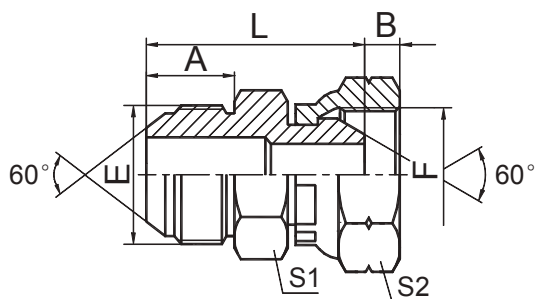
代号 PART NO.	螺纹 THREAD		尺寸 DIMENSIONS						
	E	F			A	B	L	S1	S2
SW2K-14	M14X1.5	M14X1.5			17	10.5	31.5	17	19
SW2K-16	M16X1.5	M16X1.5			18	10	34.5	17	22
SW2K-18	M18X1.5	M18X1.5			18	11.5	34.5	19	24
SW2K-22	M22X1.5	M22X1.5			20	14	39	24	27
SW2K-24	M24X1.5	M24X1.5			21.5	15	43	27	30
SW2K-30	M30X1.5	M30X1.5			26	18.3	49.5	32	36
SW2K-33	M33X1.5	M33X1.5			30	21.3	53.5	36	41
SW2K-36	M36X1.5	M36X1.5			33	20	58.5	41	46
SW2K-42	M42X1.5	M42X1.5			36	18.8	68	46	55



SW2K9

90° 弯日本公制螺纹60° 锥
90° ELBOW JIS METRIC 60° CONE

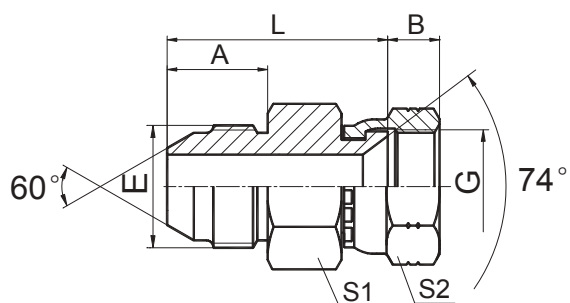
代号 PART NO.	螺纹 THREAD		尺寸 DIMENSIONS					
	E	F			A	B	S1	S2
SW2K9-14	M14X1.5	M14X1.5			29	10.5	14	19
SW2K9-16	M16X1.5	M16X1.5			31.5	10	16	22
SW2K9-18	M18X1.5	M18X1.5			33.8	11.5	19	24
SW2K9-22	M22X1.5	M22X1.5			38	14	22	27
SW2K9-24	M24X1.5	M24X1.5			41.2	15	24	30
SW2K9-30-24	M30X1.5	M24X1.5			48	15	30	30
SW2K9-30	M30X1.5	M30X1.5			48	18.3	30	36
SW2K9-33	M33X1.5	M33X1.5			55	21.3	33	41



SW2KB

公制外螺纹60° / 英管内螺纹60° 锥面
METRIC MALE 60° /BSP FEMALE 60°
CONE

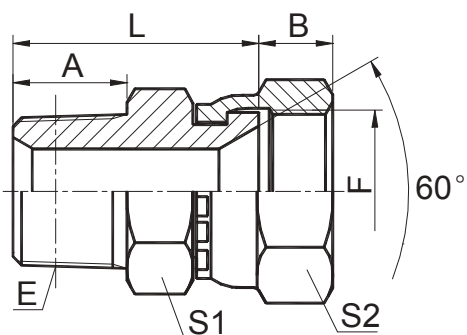
代号 PART NO.	螺纹 THREAD		尺寸 DIMENSIONS						
	E	F			A	B	L	S1	S2
SW2KB-14-04	M14X1.5	G1/4"X19			17	5.5	34	17	19
SW2KB-14-06	M14X1.5	G3/8"X19			17	6.3	35.5	17	22
SW2KB-16-06	M16X1.5	G3/8"X19			18	6.3	36.5	17	22
SW2KB-18-06	M18X1.5	G3/8"X19			18	6.3	36.5	19	22
SW2KB-20-06	M20X1.5	G3/8"X19			20	6.3	40	22	22
SW2KB-20-08	M20X1.5	G1/2"X14			20	7.5	42	22	27
SW2KB-22-06	M22X1.5	G3/8"X19			20	6.3	40	24	22
SW2KB-22-08	M22X1.5	G1/2"X14			20	7.5	42	24	27
SW2KB-24-08	M24X1.5	G1/2"X14			21.5	7.5	45.5	27	27
SW2KB-24-12	M24X1.5	G3/4"X14			21.5	10.9	46.5	27	32
SW2KB-30-12	M30X1.5	G3/4"X14			26	10.9	52	32	32
SW2KB-33-16	M33X1.5	G1"X11			30	11.7	57	36	41



SW2KJ

日本公制外螺纹60° /JIC 内螺纹74° 内锥
 JIS METRIC MALE 60° /JIC FEMALE 74° SEAT

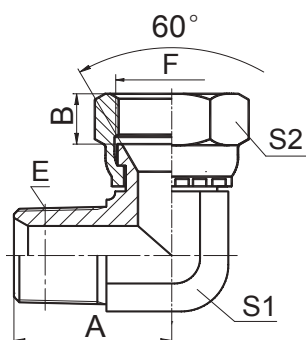
代号 PART NO.	螺纹 THREAD		尺寸 DIMENSIONS					
	E	F	A	B	L	S1	S2	
SW2KJ-14-04	M14X1.5	7/16"X20	17	9	31	17	15	
SW2KJ-18-06	M18X1.5	9/16"X18	19	10.5	32.5	19	19	
SW2KJ-22-08	M22X1.5	3/4"X16	20	11	38.5	24	24	
SW2KJ-22-12	M22X1.5	1.1/16"X12	20	15	40.5	27	32	
SW2KJ-24-10	M24X1.5	7/8"X14	21.5	13	40.5	27	27	
SW2KJ-24-12	M24X1.5	1.1/16"X12	21.5	15	42	27	32	
SW2KJ-33-16	M33X1.5	1.5/16"X12	30	16	43.5	36	41	



SW2NK

NPT 外螺纹/ 日本公制内螺纹60° 内锥面
 NPT MALE/JIS METRIC FEMALE 60° CONE SEAT

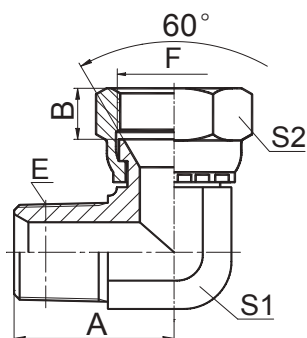
代号 PART NO.	螺纹 THREAD		尺寸 DIMENSIONS						
	E	F			A	B	L	S1	S2
SW2NK-04-14	Z1/4"X18	M14X1.5			15	10.5	29.5	17	19
SW2NK-06-14	Z3/8"X18	M14X1.5			16	10.5	30.5	19	19
SW2NK-06-16	Z3/8"X18	M16X1.5			16	10	31.5	19	22
SW2NK-06-20	Z3/8"X18	M20X1.5			16	12	33	19	27
SW2NK-08-20	Z1/2"X14	M20X1.5			19.5	12	38.5	22	27
SW2NK-12-24	Z3/4"X14	M24X1.5			19.5	15	41	30	32
SW2NK-12-30	Z3/4"X14	M30X1.5			19.5	18.3	42	30	36
SW2NK-16-33	Z1"X11.5	M33X1.5			25.5	21.3	49	36	41



SW2NK9

90° NPT 外螺纹 / 日本公制内螺纹 60° 内锥面
 90° NPT MALE / JIS METRIC FEMALE 60° CONE SEAT

代号 PART NO.	螺纹 THREAD		尺寸 DIMENSIONS					
	E	F	A	B	S1	S2		
SW2NK9-04-14	Z1/4"X18	M14X1.5	25.5	10.5	14	19		
SW2NK9-06-14	Z3/8"X18	M14X1.5	31	10.5	19	19		
SW2NK9-06-16	Z3/8"X18	M16X1.5	31	10	19	22		
SW2NK9-06-20	Z3/8"X18	M20X1.5	31	12	19	27		
SW2NK9-08-20	Z1/2"X14	M20X1.5	36.7	12	22	27		
SW2NK9-12-24	Z3/4"X14	M24X1.5	44	15	27	32		
SW2NK9-12-30	Z3/4"X14	M30X1.5	44	18.3	27	36		
SW2NK9-16-33	Z1"X11.5	M33X1.5	50	21.3	33	41		

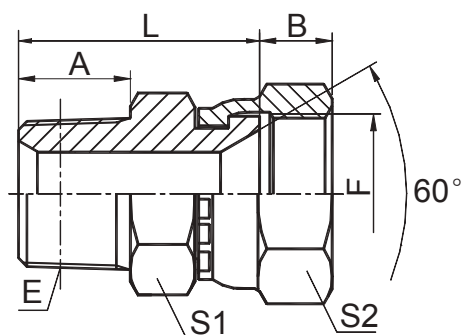


SW2TK9-SP

90° 英锥管外螺纹/日本公制内螺纹60°

90° BSPT MALE/JIS METRIC FEMALE 60°

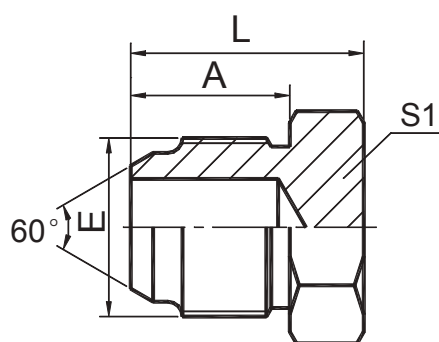
代号 PART NO.	螺纹 THREAD		尺寸 DIMENSIONS					
	E	F			A	B	S1	S2
SW2TK9-04-14SP	R1/4"X19	M14X1.5			25.5	10.5	14	19
SW2TK9-06-14SP	R3/8"X19	M14X1.5			28.5	10.5	16	19
SW2TK9-06-16SP	R3/8"X19	M16X1.5			28.5	9.3	16	22
SW2TK9-06-18SP	R3/8"X19	M18X1.5			28.5	11.5	16	24
SW2TK9-06-20SP	R3/8"X19	M20X1.5			31	12	19	27
SW2TK9-08-20SP	R1/2"X14	M20X1.5			36	12	22	27
SW2TK9-08-22SP	R1/2"X14	M22X1.5			36	14	22	27
SW2TK9-08-24SP	R1/2"X14	M24X1.5			36	15.1	22	32
SW2TK9-12-24SP	R3/4"X14	M24X1.5			43.5	15.1	27	32
SW2TK9-12-30SP	R3/4"X14	M30X1.5			43.5	18.3	27	36
SW2TK9-16-33SP	R1"X11	M33X1.5			50	21.3	33	41
SW2TK9-20-36SP	R1.1/4"X11	M36X1.5			57	20	41	46
SW2TK9-24-42SP	R1.1/2"X11	M42X1.5			62.5	18.8	48	55



SW2TK-SP

英锥管外螺纹/日本公制内螺纹60°
BSPT MALE/JIS METRIC FEMALE
60°

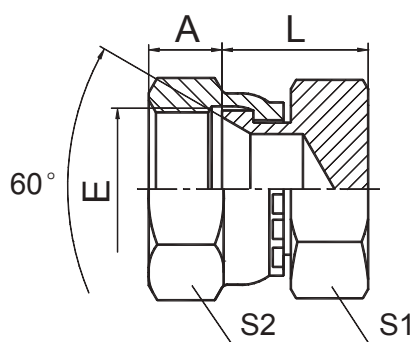
代号 PART NO.	螺纹 THREAD		尺寸 DIMENSIONS						
	E	F			A	B	L	S1	S2
SW2TK-04-14SP	R1/4"X19	M14X1.5			14.5	10.5	29	17	19
SW2TK-06-14SP	R3/8"X19	M14X1.5			15	10.5	29.5	19	19
SW2TK-06-16SP	R3/8"X19	M16X1.5			15	9.3	30.5	19	22
SW2TK-06-18SP	R3/8"X19	M18X1.5			15	11.5	31.5	19	24
SW2TK-06-20SP	R3/8"X19	M20X1.5			15	12	32	19	27
SW2TK-08-20SP	R1/2"X14	M20X1.5			20	12	39	24	27
SW2TK-08-22SP	R1/2"X14	M22X1.5			20	14	39	24	27
SW2TK-08-24SP	R1/2"X14	M24X1.5			20	15.1	39.5	24	32
SW2TK-12-24SP	R3/4"X14	M24X1.5			20	15.1	41.5	30	32
SW2TK-12-30SP	R3/4"X14	M30X1.5			20	18.3	42.5	30	36
SW2TK-16-33SP	R1"X11	M33X1.5			25.5	21.3	47.5	36	41
SW2TK-20-36SP	R1.1/4"X11	M36X1.5			26.5	20	52	46	46
SW2TK-24-42SP	R1.1/2"X11	M42X1.5			26.5	18.8	55.5	50	55



SW4K

日本公制外螺纹60° 外锥堵头
JIS METRIC MALE 60° CONE PLUG

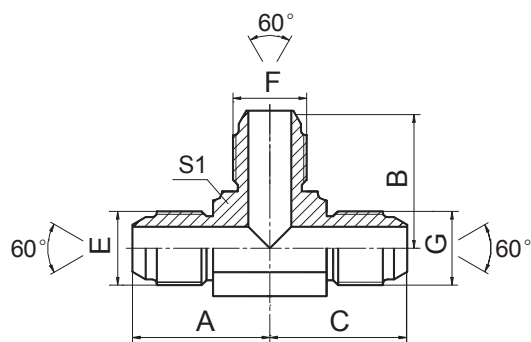
代号 PART NO.	螺纹 THREAD				尺寸 DIMENSIONS				
	E				A	L	S1		
SW4K-14	M14X1.5				17	23	17		
SW4K-16	M16X1.5				18	24	17		
SW4K-18	M18X1.5				18	25	19		
SW4K-20	M20X1.5				20	28	22		
SW4K-22	M22X1.5				20	28	24		
SW4K-24	M24X1.5				21.5	31.5	27		
SW4K-30	M30X1.5				26	37	32		
SW4K-33	M33X1.5				30	41	36		



SW9K

日本公制内螺纹60° 内锥堵头
JIS METRIC FEMALE 60° CONE PLUG

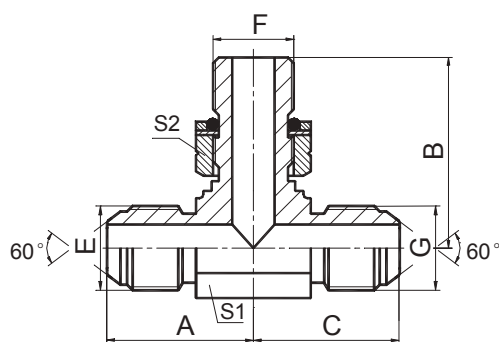
代号 PART NO.	螺纹 THREAD				尺寸 DIMENSIONS				
	E				A	L	S1	S2	
SW9K-14	M14X1.5				10.5	15	19	19	
SW9K-16	M16X1.5				10	17.5	22	22	
SW9K-18	M18X1.5				11.5	18.5	24	24	
SW9K-22	M22X1.5				14	21	27	27	
SW9K-24	M24X1.5				15	22.5	32	32	
SW9K-30	M30X1.5				18.3	25	36	36	
SW9K-33	M33X1.5				21.3	25.5	41	41	



SWAK

日本公制外螺纹60° 外锥 三通
JIS METRIC MALE 60° CONE TEE

代号 PART NO.	螺纹 THREAD			尺寸 DIMENSIONS					
	E	F	G			A	B	C	S1
SWAK-14	M14X1.5	M14X1.5	M14X1.5			26.5	26.5	26.5	14
SWAK-16	M16X1.5	M16X1.5	M16X1.5			29.5	29.5	29.5	16
SWAK-18	M18X1.5	M18X1.5	M18X1.5			30.8	30.8	30.8	19
SWAK-22	M22X1.5	M22X1.5	M22X1.5			35.5	35.5	35.5	22
SWAK-24	M24X1.5	M24X1.5	M24X1.5			37	37	37	22
SWAK-30	M30X1.5	M30X1.5	M30X1.5			45	45	45	30
SWAK-33	M33X1.5	M33X1.5	M33X1.5			50	50	50	33

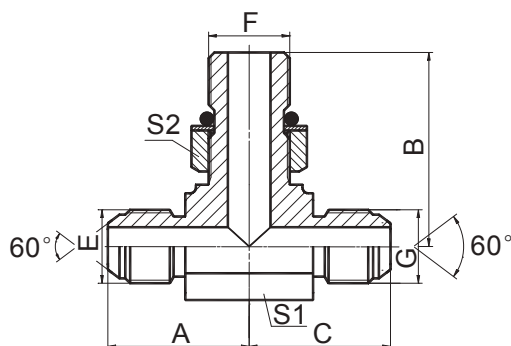


SWAKGK-OG

日本公制外螺纹 / 英管外螺纹O形圈三通
 JIS METRIC MALE / BSP MALE O-RING BRANCH TEE

代号 PART NO.	螺纹 THREAD		O形圈 O-RING		尺寸 DIMENSIONS				
	E、G	F		F端	A	B	C	S1	S2
SWAKGK-14-04-14OG	M14X1.5	G1/4"X19		O111	26.5	31.3	26.5	14	19
SWAKGK-14-06-14OG	M14X1.5	G3/8"X19		O113	28.5	35.8	28.5	16	22
SWAKGK-16-06-16OG	M16X1.5	G3/8"X19		O113	28	35.8	28	16	22
SWAKGK-18-06-18OG	M18X1.5	G3/8"X19		O113	30.8	37	30.8	19	22
SWAKGK-22-08-22OG	M22X1.5	G1/2"X14		O115	35.5	43.2	35.5	22	27
SWAKGK-24-08-24OG	M24X1.5	G1/2"X14		O115	37	46	37	24	27
SWAKGK-24-12-24OG	M24X1.5	G3/4"X14		O119	40	49.3	40	27	32
SWAKGK-30-12-30OG	M30X1.5	G3/4"X14		O119	47.5	53	47.5	30	32
SWAKGK-33-16-33OG	M33X1.5	G1"X11		O217	50	53	50	33	41

注：F端与DIN 3852油口相配。 Note: F end is connected with DIN 3852 port.

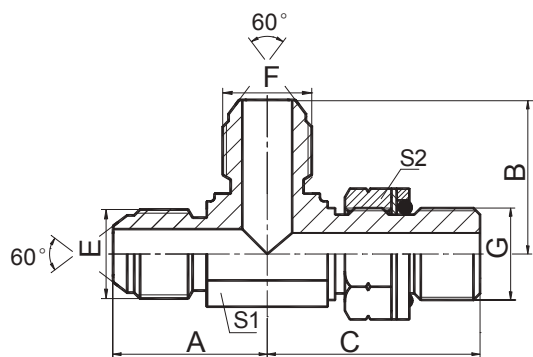


SWAKHK-OG

日本公制外螺纹60° 外锥 / 公制外螺纹
 可调向柱端重系列ISO 6149-2 三通
 JIS METRIC MALE 60° CONE / METIRC MALE
 ADJUSTABLE STUD END S-SERIES ISO6149-2
 BRANCH TEE

代号 PART NO.	螺纹 THREAD			O 形圈 O-RING		尺寸 DIMENSIONS				
	E	F	G		F 端	A	B	C	S1	S2
SWAKHK-14-12-14OG	M14X1.5	M12X1.5	M14X1.5		O09.3X2.4	25.5	33.5	25.5	14	17
SWAKHK-14OG	M14X1.5	M14X1.5	M14X1.5		O11.3X2.4	27.5	34.5	27.5	14	19
SWAKHK-16-14-16OG	M16X1.5	M14X1.5	M16X1.5		O11.3X2.4	28.5	35.5	28.5	16	19
SWAKHK-18-14-18OG	M18X1.5	M14X1.5	M18X1.5		O11.3X2.4	30.8	37.5	30.8	19	19
SWAKHK-18-16-18OG	M18X1.5	M16X1.5	M18X1.5		O13.3X2.4	30.8	39.5	30.8	19	22
SWAKHK-18-20-18OG	M18X1.5	M20X1.5	M18X1.5		O17.3X2.4	30.8	44	30.8	19	27
SWAKHK-20-18-20OG	M20X1.5	M18X1.5	M20X1.5		O15.3X2.4	33	42.5	33	19	24
SWAKHK-22-20-22OG	M22X1.5	M20X1.5	M22X1.5		O17.3X2.4	35	45.5	35	22	27
SWAKHK-24-20-24OG	M24X1.5	M20X1.5	M24X1.5		O17.3X2.4	40	47	40	24	27
SWAKHK-24-22-24OG	M24X1.5	M22X1.5	M24X1.5		O19.3X2.4	40	47	40	24	27
SWAKHK-30-27-30OG	M30X1.5	M27X2	M30X1.5		O23.5X3.0	48	57	48	30	32
SWAKHK-33OG	M33X1.5	M33X2	M33X1.5		O29.5X3.0	54.5	59	54.5	33	41

注：F 端与 ISO 6149-1 油口相配。 Note: F end is fit for ISO 6149-1 port.

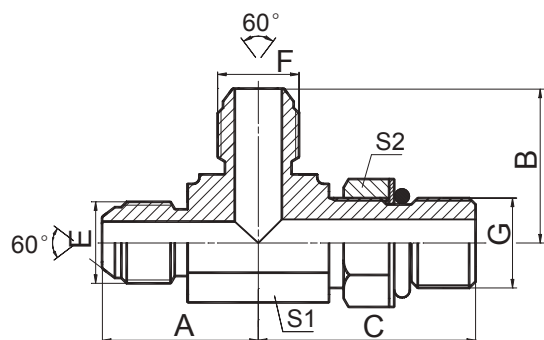


SWAKKG-OG

日本公制外螺纹 / 英管外螺纹O形圈三通
 JIS METRIC MALE / BSP MALE O-RING
 ADJUSTABLE STUD RUN TEE

代号 PART NO.	螺纹 THREAD		O形圈 O-RING		尺寸 DIMENSIONS				
	E、F	G		G端	A	B	C	S1	S2
SWAKKG-14-14-04OG	M14X1.5	G1/4"X19		O111	26.5	26.5	31.3	14	19
SWAKKG-14-14-06OG	M14X1.5	G3/8"X19		O113	28.5	28.5	35.8	16	22
SWAKKG-16-16-06OG	M16X1.5	G3/8"X19		O113	28	28	35.8	16	22
SWAKKG-18-18-06OG	M18X1.5	G3/8"X19		O113	30.8	30.8	37	19	22
SWAKKG-22-22-08OG	M22X1.5	G1/2"X14		O115	35.5	35.5	43.2	22	27
SWAKKG-24-24-08OG	M24X1.5	G1/2"X14		O115	37	37	46	24	27
SWAKKG-24-24-12OG	M24X1.5	G3/4"X14		O119	40	40	49.3	27	32
SWAKKG-30-30-12OG	M30X1.5	G3/4"X14		O119	47.5	47.5	53	30	32
SWAKKG-33-33-16OG	M33X1.5	G1"X11		O217	50	50	53	33	41

注：G端与DIN 3852油口相配。 Note: G end is connected with DIN 3852 port.

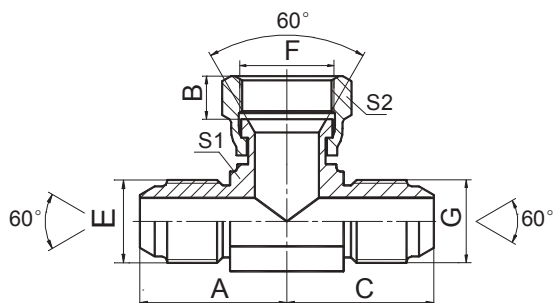


SWAKKH-OG

日本公制外螺纹60° 外锥 / 公制外螺纹可调向柱
 端重系列ISO 6149-2 三通
 JIS METRIC MALE 60° CONE / METIRC
 MALE ADJUSTABLE STUD END
 S-SERIES ISO6149-2 RUN TEE

代号 PART NO.	螺纹 THREAD			O 形圈 O-RING		尺寸 DIMENSIONS				
	E	F	G		G 端	A	B	C	S1	S2
SWAKKH-14-14-12OG	M14X1.5	M14X1.5	M12X1.5		O09.3X2.4	25.5	25.5	33.5	14	17
SWAKKH-14OG	M14X1.5	M14X1.5	M14X1.5		O11.3X2.4	27.5	27.5	34.5	14	19
SWAKKH-16-16-14OG	M16X1.5	M16X1.5	M14X1.5		O11.3X2.4	28.5	28.5	35.5	16	19
SWAKKH-18-18-14OG	M18X1.5	M18X1.5	M14X1.5		O11.3X2.4	30.8	30.8	37.5	19	19
SWAKKH-18-18-16OG	M18X1.5	M18X1.5	M16X1.5		O13.3X2.4	30.8	30.8	39.5	19	22
SWAKKH-18-18-20OG	M18X1.5	M18X1.5	M20X1.5		O17.3X2.4	30.8	30.8	44	19	27
SWAKKH-20-20-18OG	M20X1.5	M20X1.5	M18X1.5		O15.3X2.4	33	33	42.5	19	24
SWAKKH-22-22-20OG	M22X1.5	M22X1.5	M20X1.5		O17.3X2.4	35	35	45.5	22	27
SWAKKH-24-24-20OG	M24X1.5	M24X1.5	M20X1.5		O17.3X2.4	40	40	47	24	27
SWAKKH-24-24-22OG	M24X1.5	M24X1.5	M22X1.5		O19.3X2.4	40	40	47	24	27
SWAKKH-30-30-27OG	M30X1.5	M30X1.5	M27X2		O23.5X3.0	48	48	57	30	32
SWAKKH-33OG	M33X1.5	M33X1.5	M33X2		O29.5X3.0	54.5	54.5	59	33	41
SWAKKH-36-36-33OG	M36X1.5	M36X1.5	M33X2		O29.5X3.0	57	57	60.5	36	41

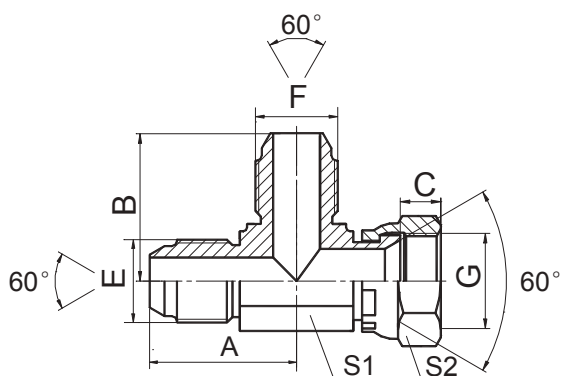
注：G 端与 ISO 6149-1 油口相配。 Note: G end is fit for ISO 6149-1 port.



SWBK

日本公制外螺纹60° 外锥 / 日本
公制内螺纹60° 内锥 三通
JIS METRIC MALE 60° CONE / JIS METRIC F
EMALE 60° SEAT BRANCH TEE

代号 PART NO.	螺纹 THREAD			尺寸 DIMENSIONS						
	E	F	G			A	B	C	S1	S2
SWBK-14	M14X1.5	M14X1.5	M14X1.5			26.5	10.5	26.5	14	19
SWBK-16	M16X1.5	M16X1.5	M16X1.5			29.5	10	29.5	16	22
SWBK-18	M18X1.5	M18X1.5	M18X1.5			30.8	11.5	30.8	19	24
SWBK-22	M22X1.5	M22X1.5	M22X1.5			35.5	14	35.5	22	27
SWBK-24	M24X1.5	M24X1.5	M24X1.5			37	15	37	22	32
SWBK-30	M30X1.5	M30X1.5	M30X1.5			45	18.3	43	30	36
SWBK-33	M33X1.5	M33X1.5	M33X1.5			50	21.3	50	33	41

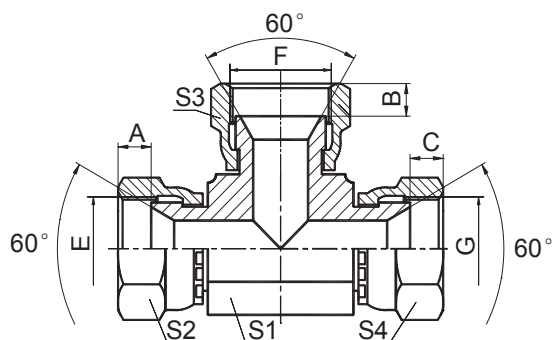


SWCK

日本公制外螺纹60° 外锥 / 日本
公制内螺纹60° 内锥 三通

JIS METRIC MALE 60° CONE / JIS METRIC
FEMALE 60° SEAT RUN TEE

代号 PART NO.	螺 纹 THREAD			尺 寸 DIMENSIONS						
	E	F	G			A	B	C	S1	S2
SWCK-14	M14X1.5	M14X1.5	M14X1.5			26.5	26.5	10.5	14	19
SWCK-16	M16X1.5	M16X1.5	M16X1.5			29.5	29.5	10	16	22
SWCK-18	M18X1.5	M18X1.5	M18X1.5			30.8	30.8	11.5	19	24
SWCK-22	M22X1.5	M22X1.5	M22X1.5			35.5	35.5	14	22	27
SWCK-24	M24X1.5	M24X1.5	M24X1.5			37	37	15	22	32
SWCK-30	M30X1.5	M30X1.5	M30X1.5			45	45	18.3	30	36
SWCK-33	M33X1.5	M33X1.5	M33X1.5			50	50	21.3	33	41



SWDK

公制内螺纹60° 内锥面
METRIC FEMALE 60° CONE SEAT

代号 PART NO.	螺纹 THREAD			尺寸 DIMENSIONS					
	E	F	G	A, B, C	S1	S2, S3, S4			
SWDK-14	M14X1.5	M14X1.5	M14X1.5	10.5	11	19			
SWDK-16	M16X1.5	M16X1.5	M16X1.5	9.3	14	22			
SWDK-18	M18X1.5	M18X1.5	M18X1.5	11.5	16	24			
SWDK-22	M22X1.5	M22X1.5	M22X1.5	14	19	27			
SWDK-24	M24X1.5	M24X1.5	M24X1.5	15.1	22	32			
SWDK-30	M30X1.5	M30X1.5	M30X1.5	18.3	27	36			
SWDK-33	M33X1.5	M33X1.5	M33X1.5	21.3	30	41			
SWDK-36	M36X1.5	M36X1.5	M36X1.5	20	33	46			
SWDK-42	M42X1.5	M42X1.5	M42X1.5	18.8	36	50			